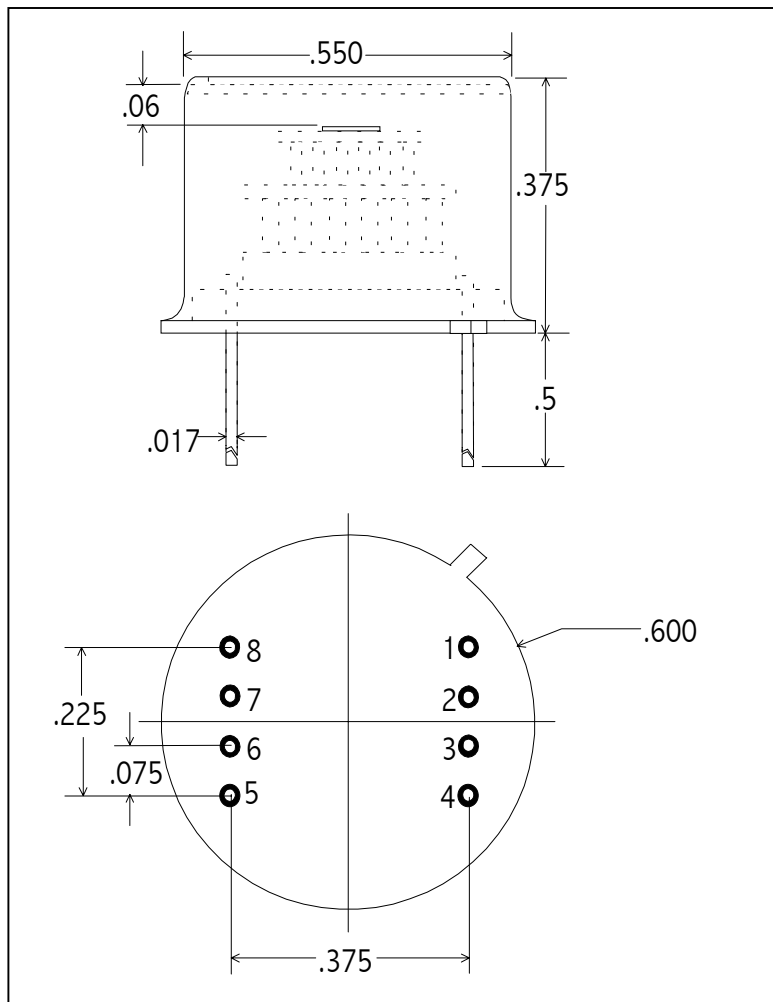


TE - COOLED PHOTODIODE



Part No:

G-010-TE2

PIN OUT

- 1 = COOLER (-)
- 2 = THERMISTOR
- 3 = THERMISTOR
- 4 = COOLER (+)
- 5 = DETECTOR CATHODE
- 6 = DETECTOR ANODE
- 7 = NO CONNECT
- 8 = NO CONNECT

Note: Dimensions in Inches

Operating Note

The TE cooled photodiode series consists of a high performance photodiode mounted on a thermoelectric cooler, all housed in a TO-8 package. A thermistor is mounted to the TEC's cold plate to provide a precise, reliable temperature monitor. Before operation VERIFY ELECTRICAL WIRING, else catastrophic damage may be sustained by the unit. Electrical power consumption can exceed 2.5 Watts (2V / 1.25A).

Therefore this package must be suitably heat sunk. Thermal grease with secure clamping is recommended for power dissipation. Temperature levels below -45°C are possible with an optimized mechanical assembly.

SPECIFICATIONS – 1mm DIA GERMANIUM PHOTODIODE		
Operating Temperature (°C)	22	-30
Shunt Resistance (Ω)	200 k	100 M
Shunt Capacitance (pF)	1500	1500
NEP @ 1.3 μm (W)	3.0 x 10 ⁻¹³	1.5 x 10 ⁻¹⁴
Thermistor Resistance (kΩ)	1.5	40.0
Cooler Current (A)	0.00	0.60 TYP.
Maximum Cooler Current (A)	1.25	