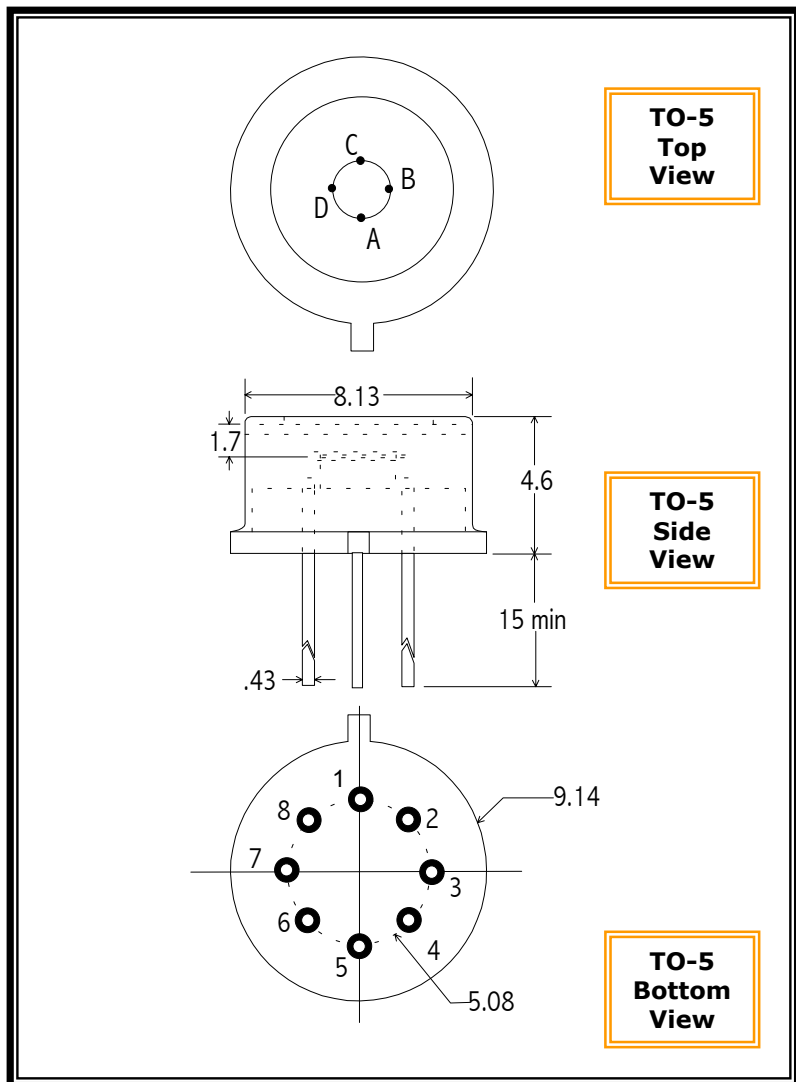


## G - SERIES POSITION SENSOR PHOTODIODES



### PIN OUT

- 1 = COMMON ANODE
- 2 = CATHODE A
- 3 = n/c
- 4 = CATHODE B
- 5 = CASE
- 6 = CATHODE C
- 7 = n/c
- 8 = CATHODE D

**NOTE:** Dimensions in millimeters

### Application Note

ELECTRO OPTICAL SYSTEMS offers room temperature position-sensing photodiode detectors. The units have state-of-the-art sensitivity and may be supported by accessories such as optical filters (longpass and bandpass), and preamplifiers. These units find applications in industrial control systems, beam tracking and precision alignment systems.

### SPECIFICATIONS

Part Numbers:	G-020-PSD	G-030-PSD
Detector Type	Germanium Photodiode	Germanium photodiode
Active Diameter (mm)	2mm	3mm
Operating Wavelength (μm)	0.8 - 1.8	0.8 - 1.8
Shunt Resistance - ohms	50k min / 100k typ	25k min / 40k typ
Inter-electrode resistance - ohms	100 typ	100 typ
Shunt Capacitance (pF)	9000 typ	13000 typ
Responsivity (A/W)	0.85 min @ 1.55um	0.85 min @ 1.55um