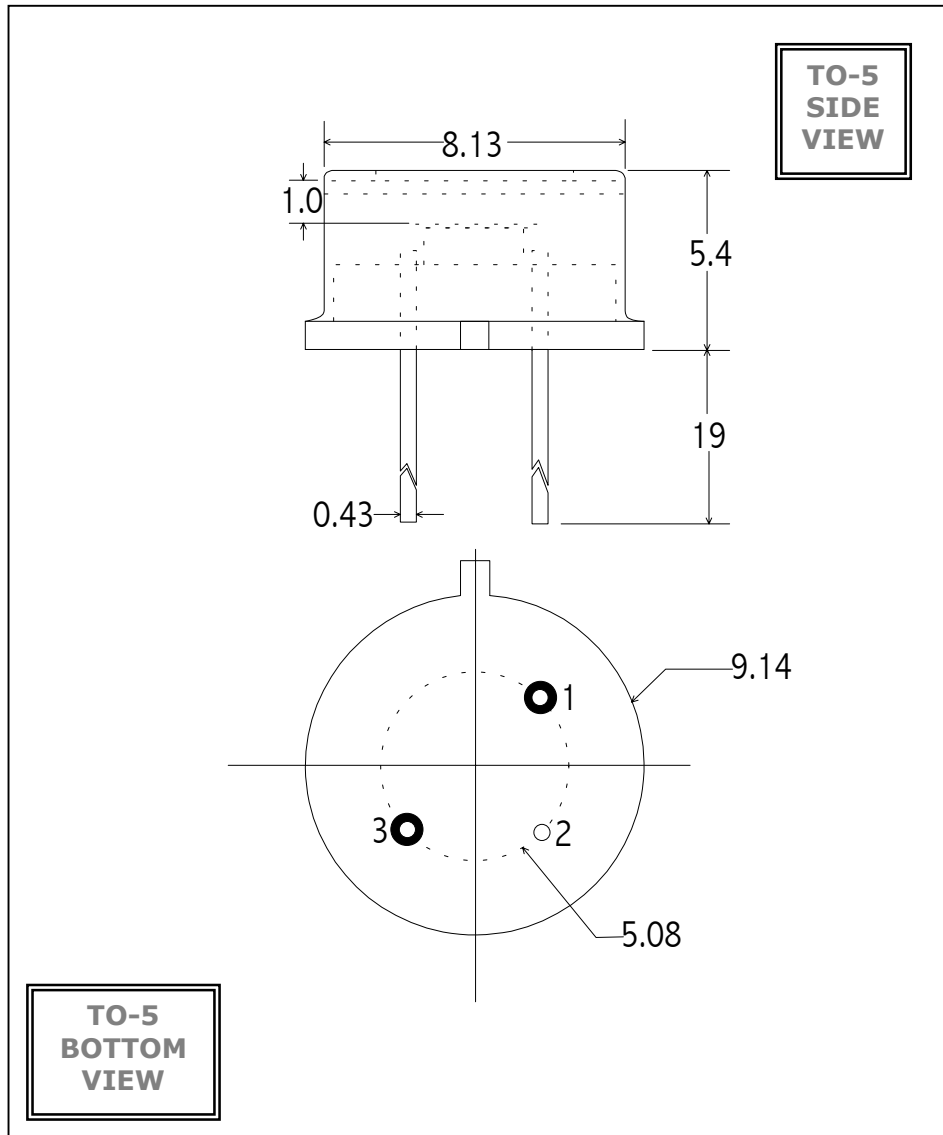


G - SERIES PHOTODIODES



PIN OUT

- 1 = ANODE
- 2 = CASE
- 3 = CATHODE

Note:

Dimensions in millimeters

Application Note

ELECTRO OPTICAL SYSTEMS offers room temperature photodiode detectors. The units have state-of-the-art sensitivity and may be supported by accessories such as optical filters (longpass and bandpass), integral preamplifiers, and fiber optic connectors. These units find applications in industrial control systems, gas analyzers, thermal sensors, and general fiber optic test instrumentation.

SPECIFICATIONS @ 23° C

Part Number	G - 020	G - 030
Active Area	2.0 mm dia	3.0 mm dia
Operating Wavelength - μm	0.8 - 1.8	0.8 - 1.8
Shunt Resistance (Ω)	$\geq 90\text{k}$	$\geq 40\text{k}$
Shunt Capacitance (pF), typ	9000	13000
Responsivity (A/W) @ 1.5 μm	0.90	0.90
NEP ($\text{W}/\text{Hz}^{1/2}$), @ 1.5 μm , 100 Hz	$<4.5 \times 10^{-13}$	$<7 \times 10^{-13}$