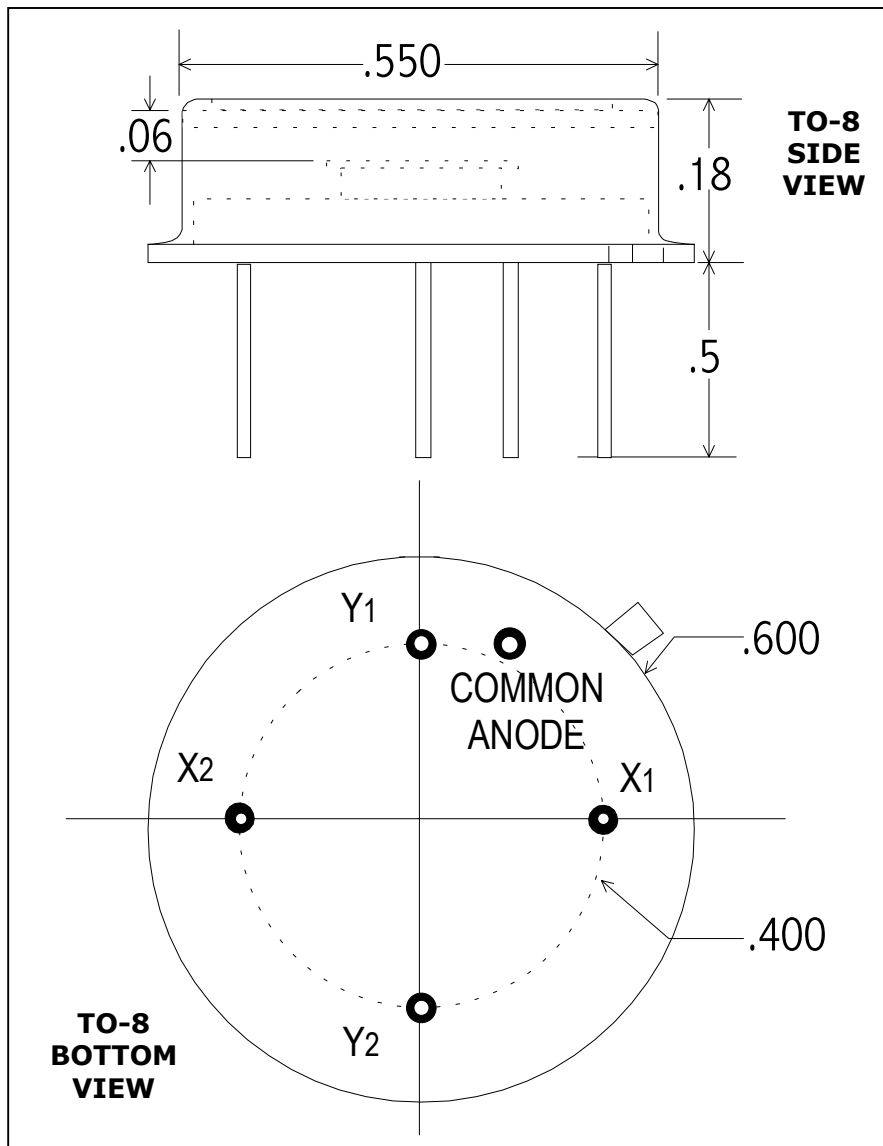




G-SERIES POSITION DETECTOR



Part number:
G-050-PSD

Application Note

Electro Optical Systems Inc, offers a range of position detector sizes, in addition to 4 channel amplifiers. These units find applications in micro-positioning instrumentation and systems.

SPECIFICATIONS : G - 050 - PSD	
Active Diameter (mm)	5
Operating Wavelength (μm)	0.8 - 1.7
Shunt Resistance (Ω)	10K min ; 15K typ
Shunt Capacitance (pF)	10,000 nom @ 0V
Responsivity (A/W)	0.85 @ 1.5 μm
Inter-electrode Resistance	100 ohms nom.