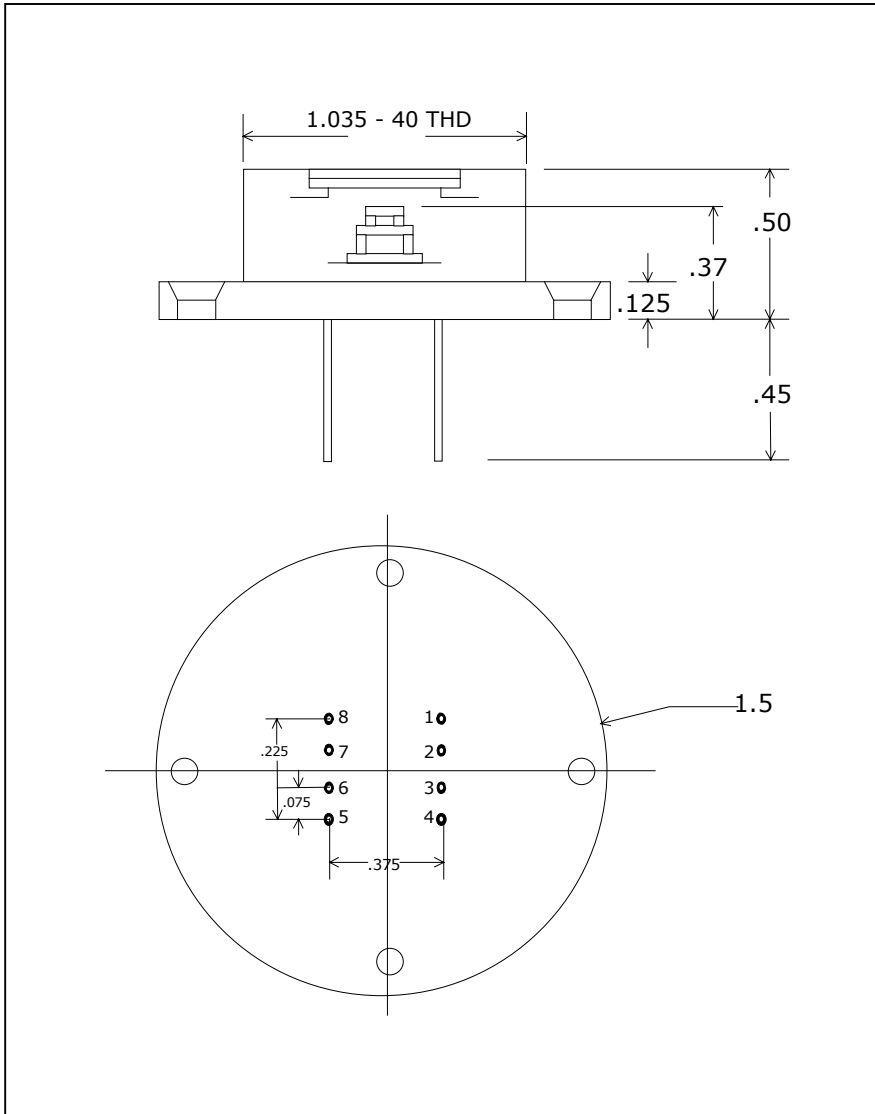


THERMOELECTRICALLY COOLED PHOTODIODE

Part No:
G-130-TE2
PIN FUNCTION

- 1 = Cooler (-)**
- 2 = Thermistor**
- 3 = Thermistor**
- 4 = Cooler (+)**
- 5 = Detector Cathode**
- 6 = Detector Anode**
- 7 = No Connect**
- 7 = No Connect**

Note:
Dimensions in Inches


SPECIFICATIONS – MODEL G-130, 13mm x 10mm GERMANIUM PHOTODIODE		
Temperature (°C)	22 @ $I_{tec} = 0.0$ A	-30 @ $I_{tec} = .7$ A
R_{shunt}	1k ohms min	25k ohms min
C_{shunt}	40000pf typ	40000pf typ
NEP @ 1.55	$< 5 \times 10^{-12}$	$< 1.0 \times 10^{-12}$
Responsivity (A/W)	0.9 min @ 1.55 μm	0.9 min @ 1.55 μm
Max Cooler Current (A)	1.25	
Thermistor Resistance (kΩ)	1.5	40.0