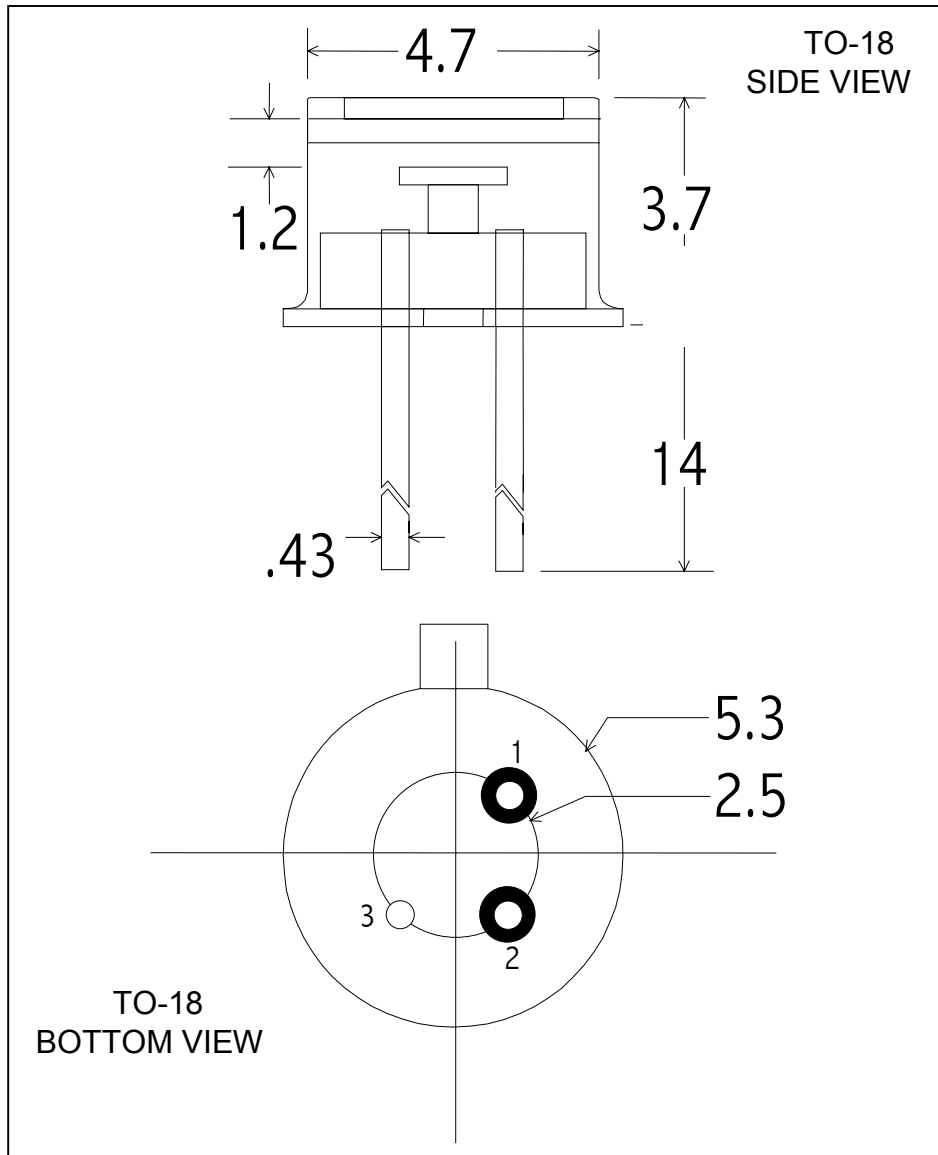


## IA - SERIES PHOTODIODE



**Part No:** IA-010

**PIN OUT**

- 1 = ANODE
- 2 = CATHODE
- 3 = CASE

**Note:**

Dimensions in millimeters

### Application Note

**ELECTRO OPTICAL SYSTEMS** offers room temperature InAs photodiode detectors for operation in the 1.0 - 3.5  $\mu\text{m}$  spectral range.

The units have state-of-the-art sensitivity and may be supported by accessories such as optical filters (longpass and bandpass), integral preamplifiers, and infrared source assemblies. These units find applications in industrial control systems, gas analyzers, thermal sensors, and general infrared instrumentation.

### SPECIFICATIONS

Active Diameter (mm)	1.0
Operating Temperature ( $^{\circ}\text{C}$ )	22
Operating Wavelength	1.0 - 3.4
Shunt Resistance ( $\Omega$ ) typ	$\geq 15$
Shunt Capacitance (pF)	400 typ
Responsivity @ 3.2 $\mu\text{m}$ (A/W)	1.0
NEP @ 3.2 $\mu\text{m}$ ( $\text{W}/\text{Hz}^{1/2}$ )	$33 \times 10^{-12}$