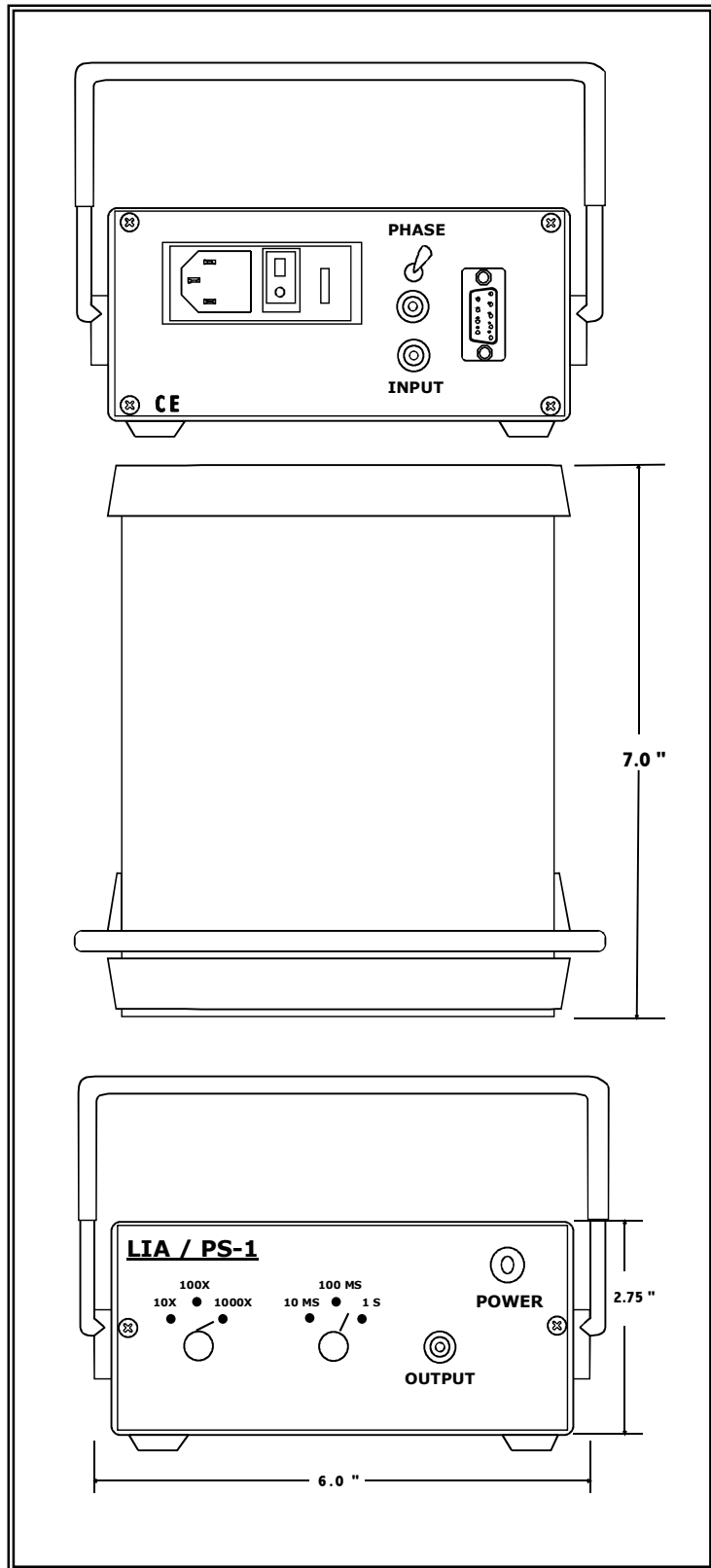
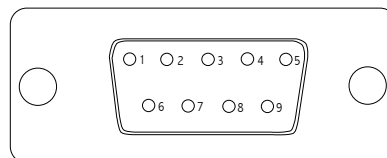


LIA/PS-1 LOCK-IN AMPLIFIER/POWER SUPPLY



The LIA / PS-1 is a combination lock-in amplifier and low noise power supply for powering all Electro - Optical Systems' receivers and interfacing to the receiver preamplifiers. In addition, the PS-1 works well as a general purpose, dual - polarity laboratory power supply.



DB-9 PIN OUT

- | | | | |
|---|------------|---|----------|
| 1 | NO CONNECT | 6 | +V |
| 2 | NO CONNECT | 7 | -V |
| 3 | NO CONNECT | 8 | GND |
| 4 | NO CONNECT | 9 | CASE GND |
| 5 | NO CONNECT | | |

SPECIFICATIONS

POWER SUPPLY

Output Voltage	± 15 V
Output Current	± 100 mA
Regulation	0.02 % line & load
Ripple	0.5 mV RMS max output
Connections	One 9-pin Dee-Plug Connector
Input Power	120 VAC/0.5 A & 240 VAC/0.5A

LOCK - IN AMPLIFIER

Sensitivity	10 μ V (for 1 volt output)
Dynamic Range	0 - 60 db
Input Noise	8 nv @ 500 Hz
Gain Adj	10 - 1000
Gain Stability	100 ppm / C
Time Constant	10 ms - 1 s
Max Inputs Range	+/- 10 V
Input Impedance	10K ohms @ 500 Hz
Reference Input	TTL / sinusoidal
Phase Select	0 / 180
Phase Drift	0.1 / $^{\circ}$ C
Power	+/- 15 VDC
Enclosure	6" x 7" x 2.75"
Temperature Range	0 - 70 $^{\circ}$ C