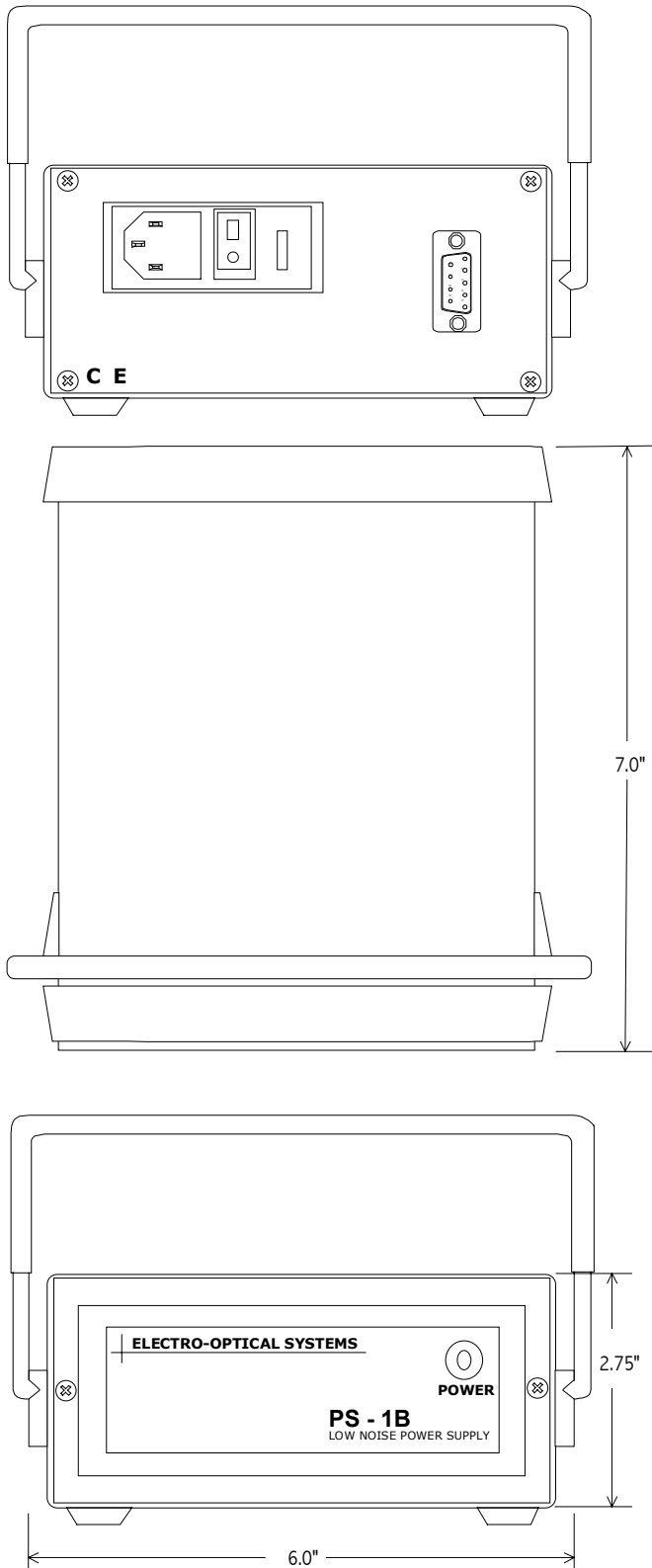


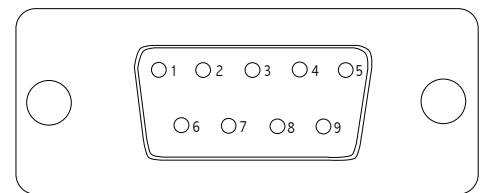


PS-1B Ultra-Low Noise Power Supply



The PS-1B is a low-noise, battery operated power supply designed primarily for powering all Electro-Optical Systems' receivers and preamplifiers. In addition, the PS-1B works well as a general purpose, dual polarity laboratory power supply.

CAUTION: Prior to use the input voltage must be properly set at either 120VAC or 240VAC. Unless otherwise specified, the factory setting is 120VAC.



DB-9 PIN OUT

1	NO CONNECT	6	+V
2	NO CONNECT	7	-V
3	NO CONNECT	8	GND
4	NO CONNECT	9	CASE GND
5	NO CONNECT		

SPECIFICATIONS

Output Voltage	± 12V
Output Current	± 100 mA
Battery Cap.	1.3 AH
Charger	Integral
Connections	One 9-pin Dee-Plug Connector
Input Power	120 VAC/0.5 A & 240 VAC/0.5A



PS-1B Ultra-Low Noise Power Supply

TECHNICAL DESCRIPTION

The PS-1B will operate as a standard PS-1, or as a battery powered supply. In the PS-1 mode the output will be +/- 15v, in the battery powered mode the output will be +/- 12v.

A battery charger will be an integral part of the supply. There will be a mode switch on the back panel. The UP position will be **normal / charge** and the DOWN position will be **battery**. When the batteries get down to +/- 11v, the front panel light will flash. In that condition, the mode switch should be @ **normal / charge** and the unit will automatically charge the batteries. During the charging process, the unit can be used as a standard PS-1.

The power supply can be plugged into AC power or operated remotely (unplugged) in the battery mode.

For battery capacity vs operating time refer to the battery discharge curve. EOS standard receiver modules require approximately +/- 5v to +/- 15v @ 5 to 15ma depending on amplifier band-width. When a detector is biased the max current is 30ma.

