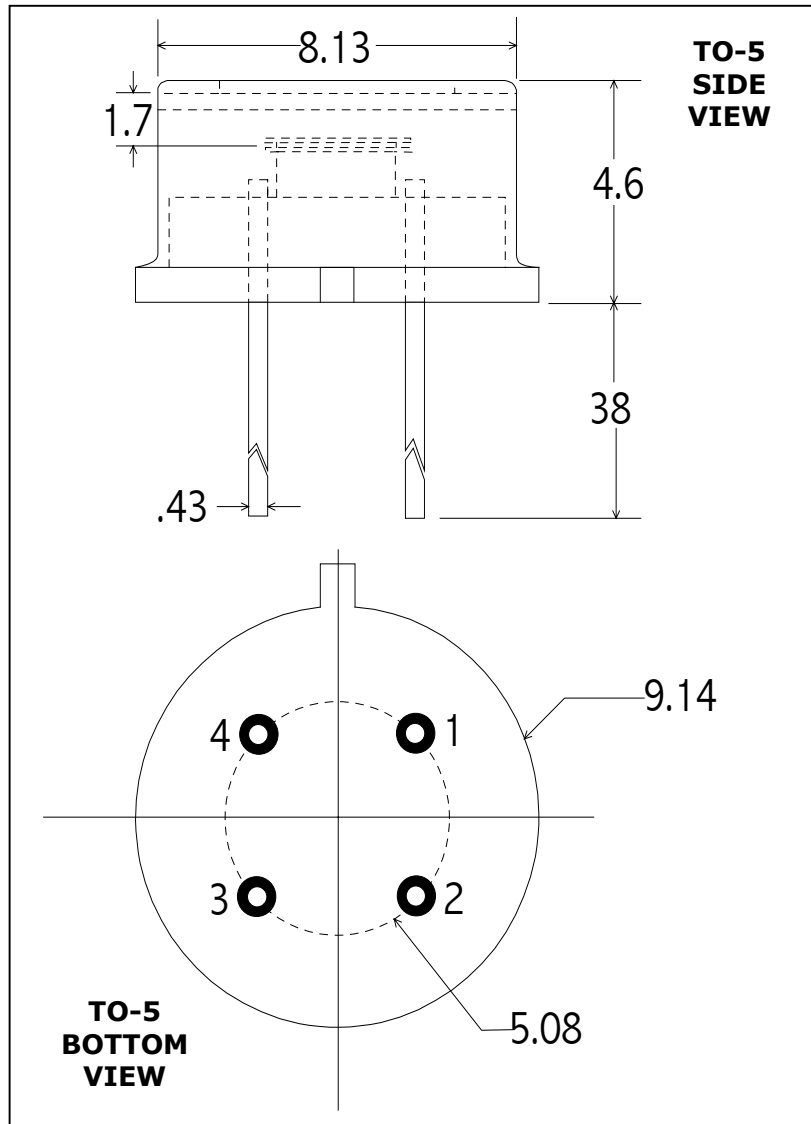


## 2 - COLOR PHOTODIODE



**Part No:** S/IGA2.2-025/010

**PIN OUT**

- 1 = TOP CATHODE
- 2 = TOP ANODE
- 3 = BOTTOM ANODE
- 4 = BOTTOM CATHODE

**Note:**  
Dimensions in millimeters

### Application Note

ELECTRO OPTICAL SYSTEMS offers a variety of room temperature 2-color photodiode detectors. The units have state-of-the-art sensitivity and are supported by accessories such as optical filters, integral preamplifiers, and fiber optic connectors.

These units find applications in industrial control systems, test equipment, thermal sensors, and general infrared instrumentation.

### SPECIFICATIONS

Detector Position	TOP	BOTTOM
Detector Type	Si Photodiode	ex-InGaAs Photodiode
Active Diameter (mm)	2.5	1.0
Operating Wavelength (μm)	0.3 – 1.0	1.2 – 2.6
Shunt Resistance (Ω)	500M min @ 0V	> 3k
Shunt Capacitance (pF)	400 typ	300 typ
Responsivity (A/W)	0.55 @ 850 nm	0.5 @ 2200 nm
NEP (W/Hz <sup>1/2</sup> )	<1 x10 <sup>-14</sup> @ 850 nm	< 1 x10 <sup>-11</sup> @ 2200 nm