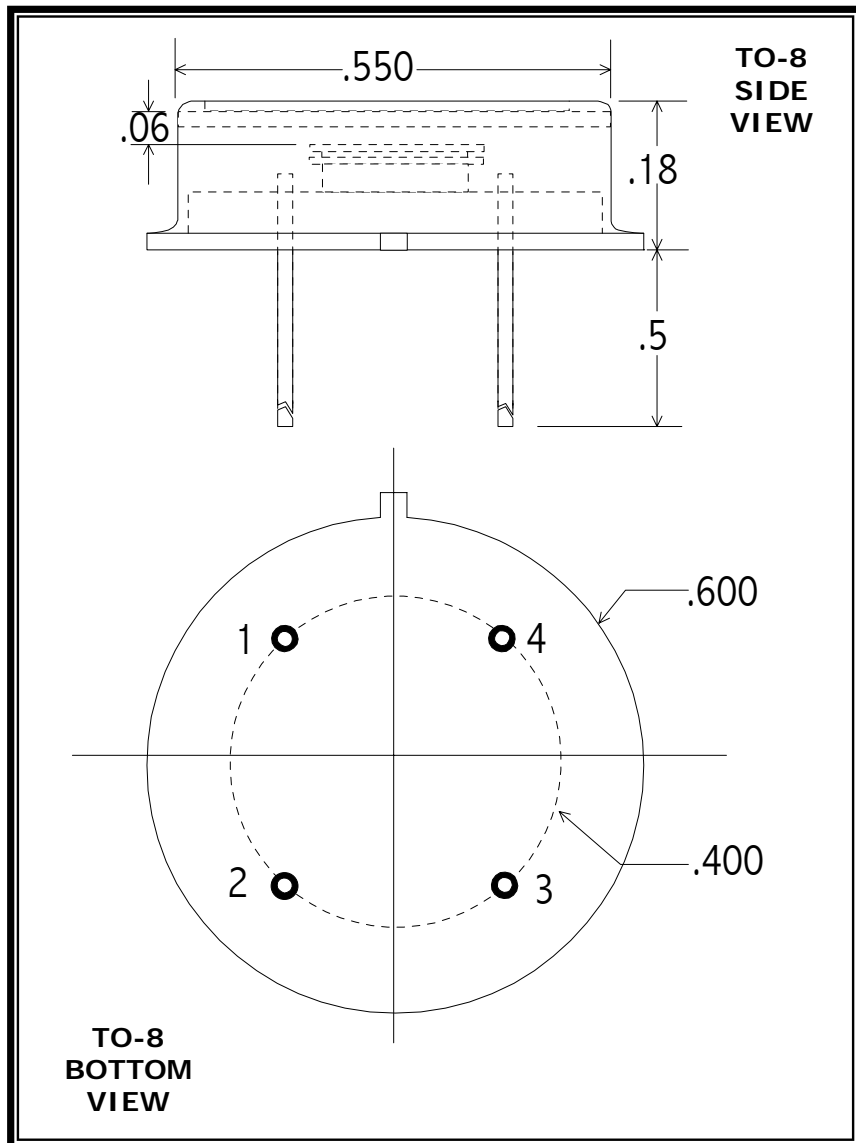


## 2 - COLOR PHOTODIODE



**Part No:** UVS / G - 050

**PIN OUT**

- 1 = TOP CATHODE
- 2 = TOP ANODE
- 3 = BOTTOM ANODE
- 4 = BOTTOM CATHODE

**Note:**  
Dimensions in inches

### Application Note

ELECTRO OPTICAL SYSTEMS offers a variety of room temperature 2-color photodiode detectors. The units have state-of-the-art sensitivity and are supported by accessories such as optical filters, integral preamplifiers, and fiber optic connectors.

These units find applications in industrial control systems, test equipment, thermal sensors, and general infrared instrumentation.

### SPECIFICATIONS

Detector Position	TOP	BOTTOM
Detector Type	UV Si Photodiode	Ge Photodiode
Active Diameter (mm)	5	5
Operating Wavelength (µm)	0.2 – 1.0	1.0 – 1.8
Shunt Resistance (Ω)	50 M	15k
Shunt Capacitance (pF)	1000 typ	30000 typ
Responsivity (A/W)	0.5 @ 0.9 µm	0.6 @ 1.5 µm
NEP (W/Hz <sup>1/2</sup> )	< 3.0 x 10 <sup>-14</sup>	< 2.5 x 10 <sup>-12</sup>