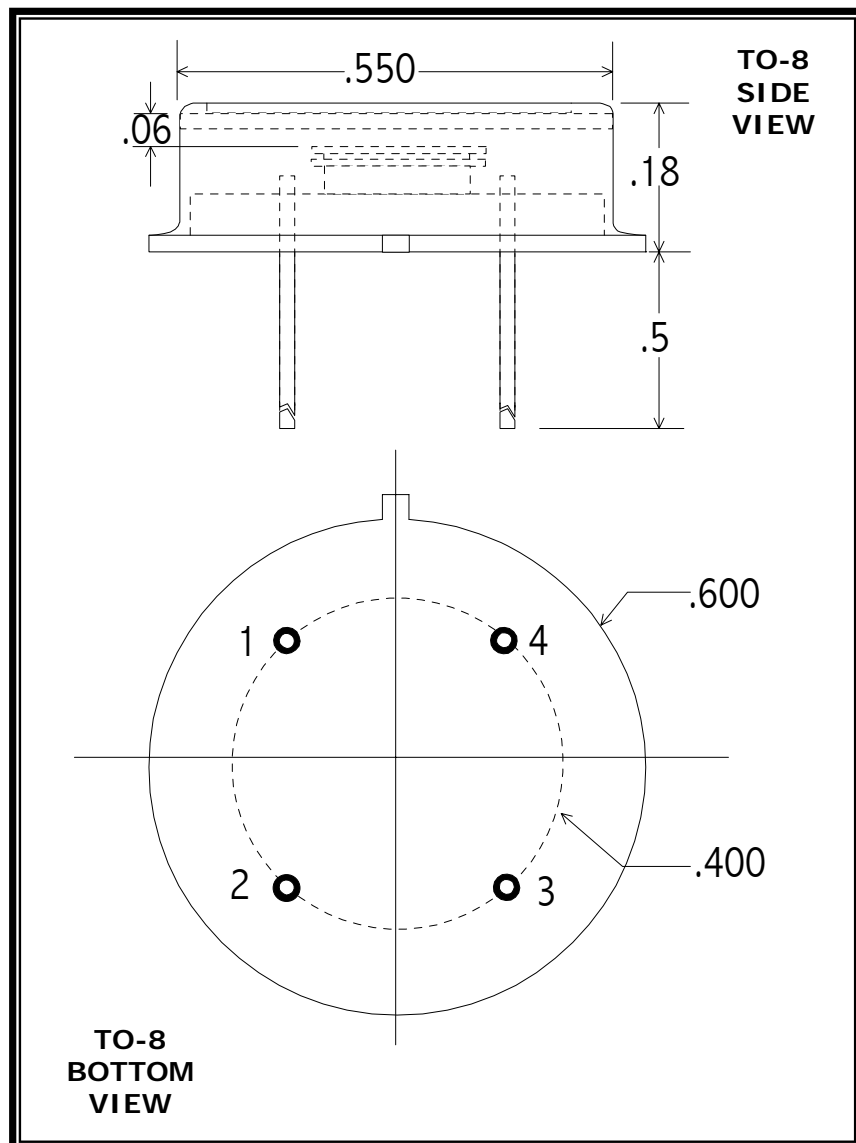


## 2 - COLOR DETECTORS



**Part No:** UVS / PBS - 050

**PIN OUT**

- 1 = TOP CATHODE
- 2 = TOP ANODE
- 3 = BOTTOM DETECTOR
- 4 = BOTTOM DETECTOR

**Note:**  
Dimensions in inches

### Application Note

*ELECTRO OPTICAL SYSTEMS* offers a variety of room temperature 2-color detectors. The units have state-of-the-art sensitivity and are supported by accessories such as optical filters, integral preamplifiers, and fiber optic connectors.

These units find applications in industrial control systems, test equipment, thermal sensors, and general infrared instrumentation.

### SPECIFICATIONS

Detector Position	TOP	BOTTOM
Detector Type	UV Si Photodiode	PbS Photoconductor
Active Area	5.0 mm dia	5 mm x 5 mm
Operating Wavelength (μm)	0.2 – 1.0	1.0 – 2.8
Shunt Resistance (Ω), min	50 M	0.2 – 1.0 M
Shunt Capacitance (pF)	1000	N/A
Responsivity	0.55 @ 0.8 μm, A/W	2.0 x 10 <sup>4</sup> V/W @ 2.6 μm
NEP (W/Hz <sup>1/2</sup> )	< 3.0 x 10 <sup>-14</sup>	< 1.5 x 10 <sup>-11</sup> @ 2.6 μm