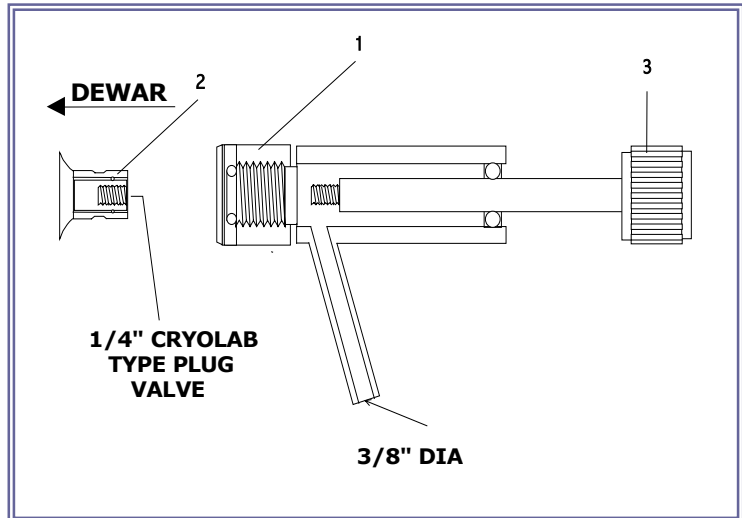


VO – 1 VALVE OPERATOR

The cryolab valve provides a low profile, o – ring sealed port on the LN-style metal dewars used for periodic re-pumping. The Model VO-1 removable operator is used in this procedure as shown below:

STEP 1: With the retaining nut (1) on the operator slightly loosened, slip over port (2) on dewar and tighten to compress O - ring seal.

STEP 2: Push plunger (3) fully inward and engage with threads in the dewar plug. This is best accomplished by rotating the plunger counter-clockwise with slight inward pressure until the beginning of threads are felt. Rotate plunger clockwise to engage. Do not over-tighten or the threads may be difficult to disengage.

STEP 3: Connect the dewar to the vacuum system and evacuate up to the operator seal. Slowly pull the plunger (with dewar plug) back past the evacuation tube. The dewar is now open to the vacuum system.

STEP 4: To close, push plunger in fully, and rotate counter-clockwise with slight inward pressure until the threads are felt to disengage. Pull the plunger back slightly. Vent the vacuum system, loosen the retaining nut and slip operator from the dewar port.