

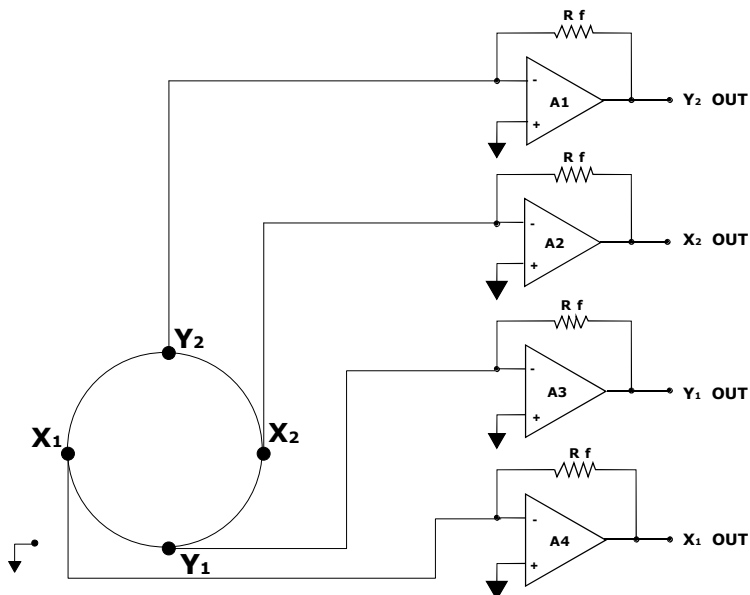
GERMANIUM PSD RECEIVER

Part no: G -050-PSD-E4

These units integrate the EOS PSD's with a 4-channel transimpedance amplifier in the H-series receiver module. Gain/bandwidth settings can be specified by the user. Standard settings are shown below.

Note:

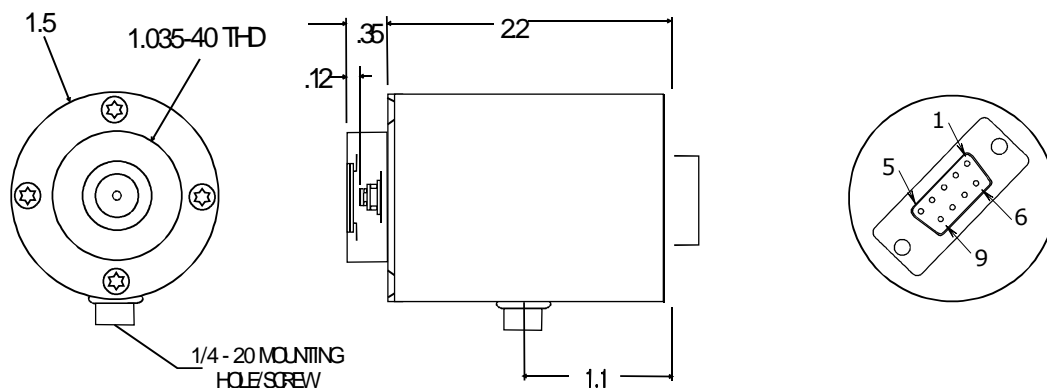
Units delivered with a PS-1 power supply have an adapter cable for power and the amplifier outputs.



9-PIN D-sub Connector

PIN

- 1 - Y₂ OUT
- 2 - X₂ OUT
- 3 - GND
- 4 - Y₁ OUT
- 5 - X₁ OUT
- 6 - +V
- 7 - -V
- 8 - GND
- 9 - CASE



| SPECIFICATIONS | |
|----------------------------|---------------------------------------|
| Detector Type | Germanium Tetralateral Photodiode |
| Active Diameter | 5 mm overall |
| Wavelength Range | 800 - 1800 nm |
| Amplifier Gain (Rf) | 10 k ohms |
| Module Bandwidth | DC - 10 kHz |
| Position Resolution | < 1 micron, for 0.1 mW incident power |
| Power Requirements | + , - 15 DVC; 40 mA |