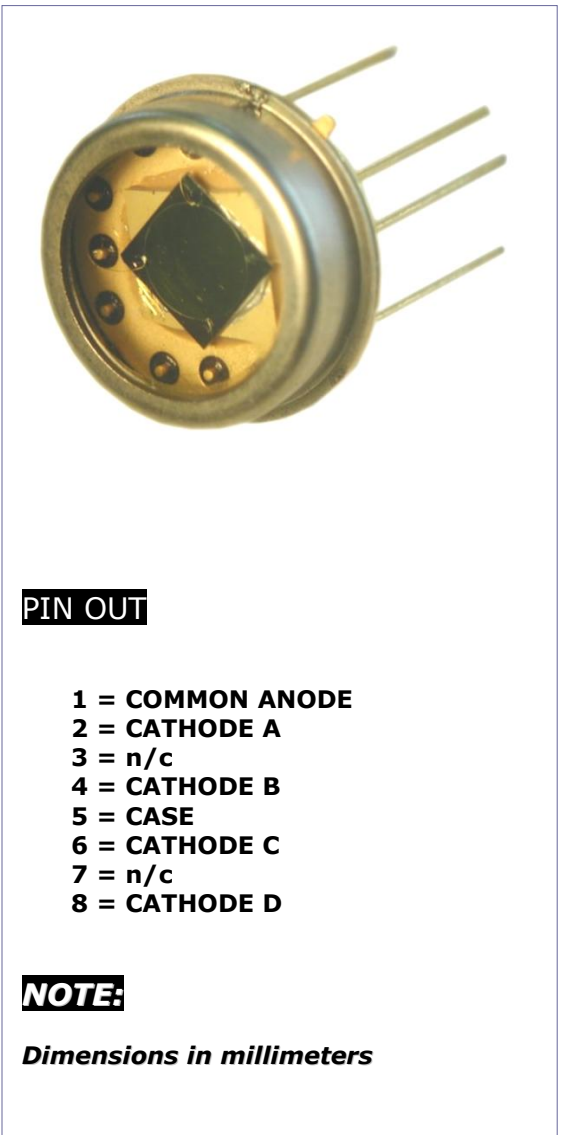
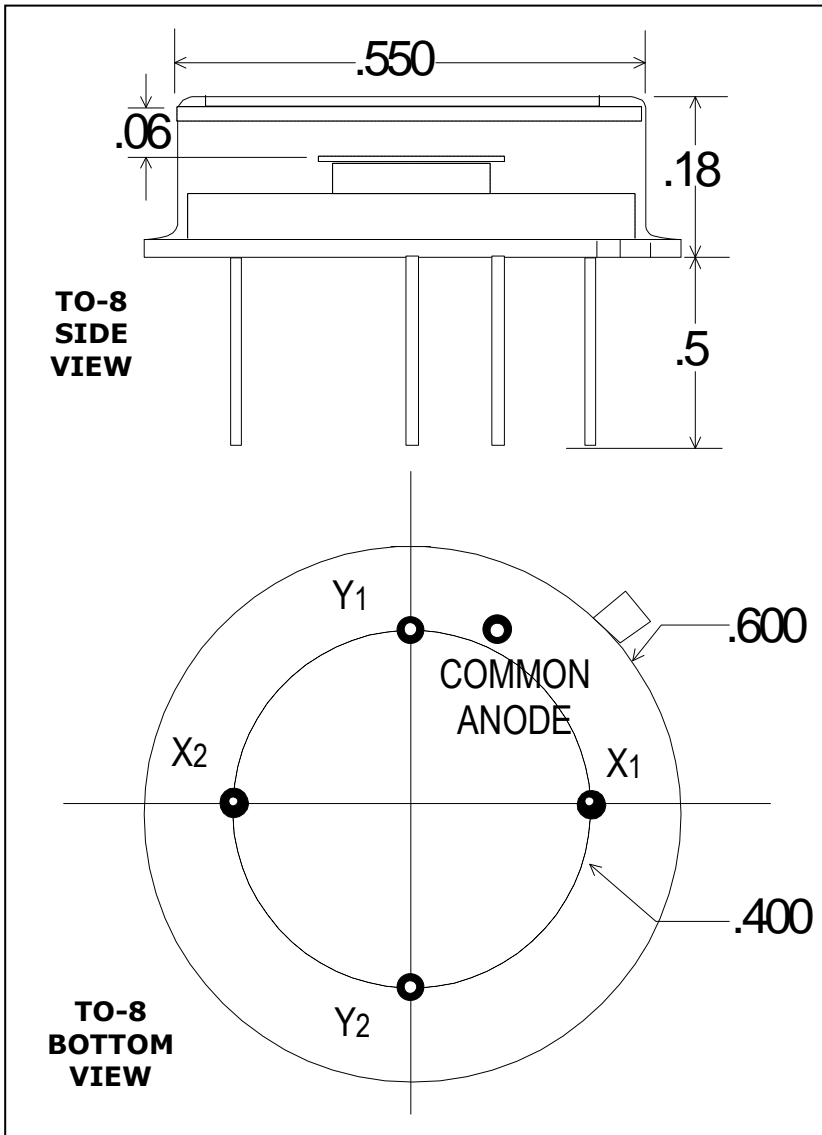


## G-SERIES POSITION SENSOR PHOTODIODE



<b>SPECIFICATIONS</b>	
Part Number	<b>G - 050 - PSD</b>
Active Diameter (mm)	<b>5</b>
Operating Wavelength (μm)	<b>0.8 - 1.7</b>
Shunt Resistance (Ω)	<b>10K min ; 15K typ</b>
Shunt Capacitance (pF)	<b>10,000 nom @ 0V</b>
Responsivity (A/W)	<b>0.85 @ 1.5 μm</b>
Inter-electrode Resistance	<b>100 ohms nom.</b>

**RoHS Compliant**