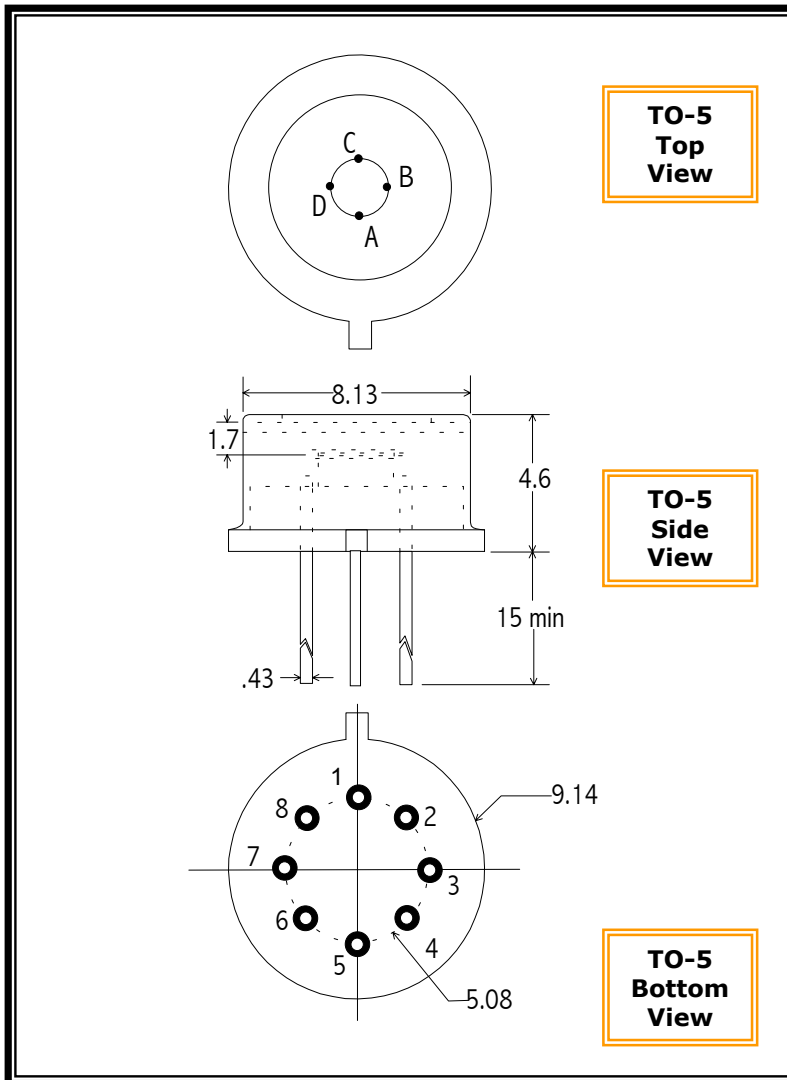


IGA - SERIES POSITION SENSOR PHOTODIODES



PIN OUT

- 1 = COMMON CATHODE
- 2 = ANODE A
- 3 = n/c
- 4 = ANODE B
- 5 = CASE
- 6 = ANODE C
- 7 = n/c
- 8 = ANODE D

NOTE: Dimensions in millimeters

Application Note

ELECTRO OPTICAL SYSTEMS offers room temperature position-sensing photodiode detectors. The units have state-of-the-art sensitivity and may be supported by accessories such as optical filters (longpass and bandpass), and preamplifiers. These units find applications in industrial control systems, beam tracking and precision alignment systems.

SPECIFICATIONS

Part Numbers	IGA-020-PSD	IGA-030-PSD
Detector Type	InGaAs Photodiode	InGaAs photodiode
Active Diameter (mm)	2mm	3mm
Operating Wavelength (μm)	1.0 - 1.7	1.0 - 1.7
Shunt Resistance - ohms	5M min / 10M typ	5M min / 10M typ
Inter-electrode resistance - ohms	300 typ	300 typ
Shunt Capacitance (pF)	400 typ	1200 typ
Responsivity (A/W)	0.9 min @ 1.3um	0.9 min @ 1.3um