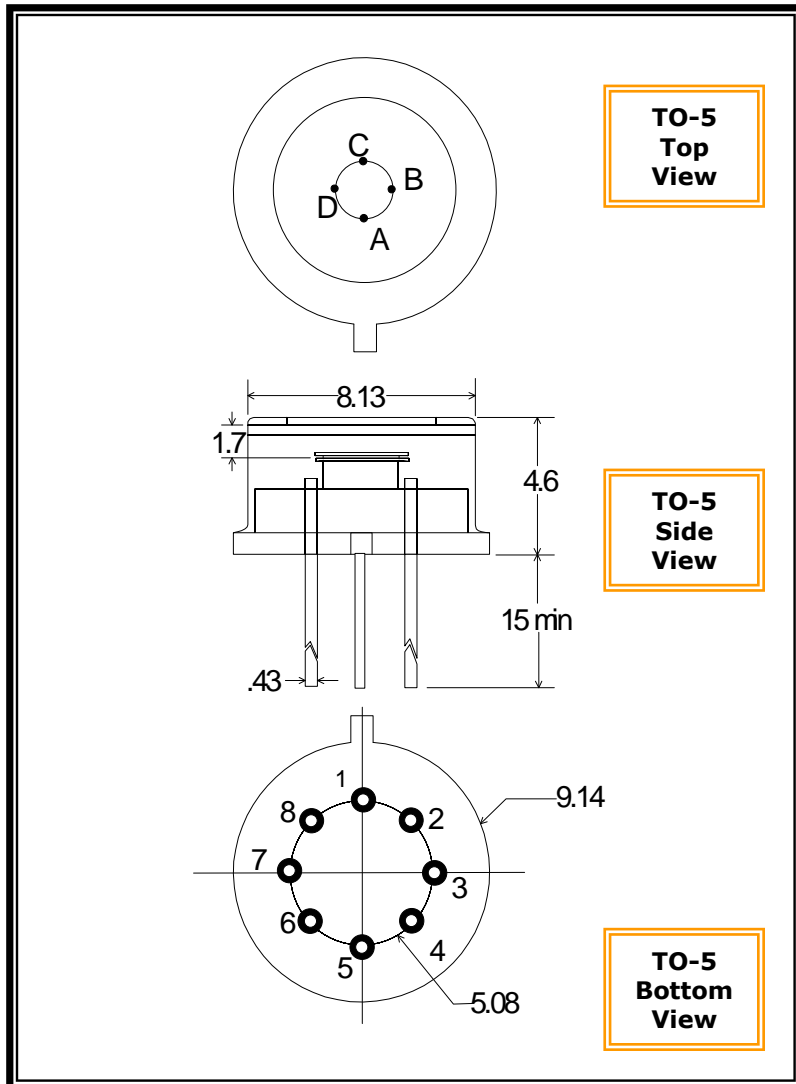


## IGA - SERIES POSITION SENSOR PHOTODIODES



### PIN OUT

- 1 = COMMON CATHODE**
- 2 = ANODE A**
- 3 = n/c**
- 4 = ANODE B**
- 5 = CASE**
- 6 = ANODE C**
- 7 = n/c**
- 8 = ANODE D**

**NOTE:** Dimensions in millimeters

### Application Note

ELECTRO OPTICAL SYSTEMS offers room temperature position-sensing photodiode detectors. The units have state-of-the-art sensitivity and may be supported by accessories such as optical filters (longpass and bandpass), and preamplifiers. These units find applications in industrial control systems, beam tracking and precision alignment systems.

## SPECIFICATIONS

Part Numbers	<b>IGA-020-PSD</b>
Detector Type	<b>InGaAs Photodiode</b>
Active Diameter (mm)	2mm
Operating Wavelength (μm)	1.0 - 1.7
Shunt Resistance - ohms	5M min / 10M typ
Inter-electrode resistance - ohms	300 typ
Shunt Capacitance (pF)	400 typ
Responsivity (A/W)	0.9 min @ 1.3um

*RoHS Compliant*