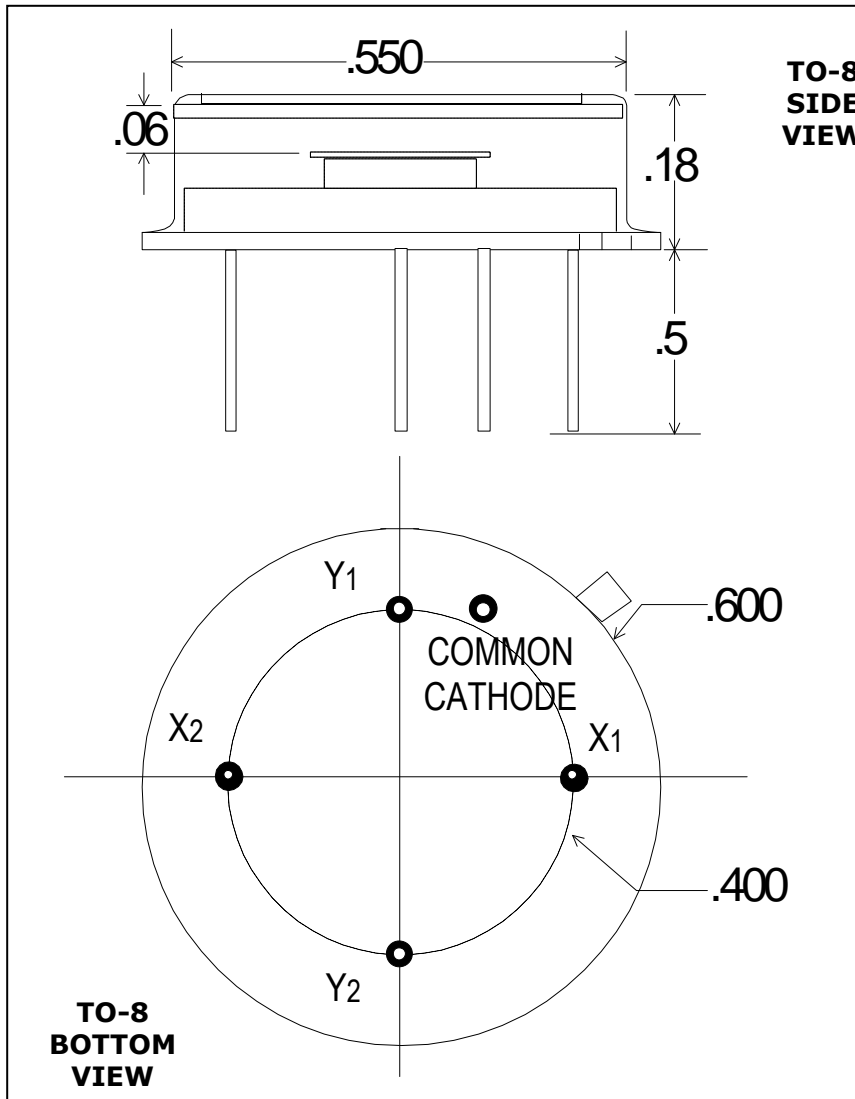




IGA-SERIES POSITION DETECTOR



Part number:
IGA-050-PSD

Application Note

Electro Optical Systems Inc. offers a range of position detector sizes, in addition to 4 channel amplifiers. These units find applications in micro-positioning instrumentation and systems.

SPECIFICATIONS : IGA – 050 - PSD	
Active Diameter (mm)	5
Operating Wavelength (μm)	0.8 – 1.7
Package / Window	TO-8 / BK7 glass
Shunt Resistance (Ω), typ	0.5M
Shunt Capacitance (pF), typ	2500 nom @ 0V
Responsivity (A/W) , min	0.85 @ 1.5 μm
Inter-electrode Resistance	300 ohms nom.
Reverse Voltage	0.5V max

RoHS Compliant