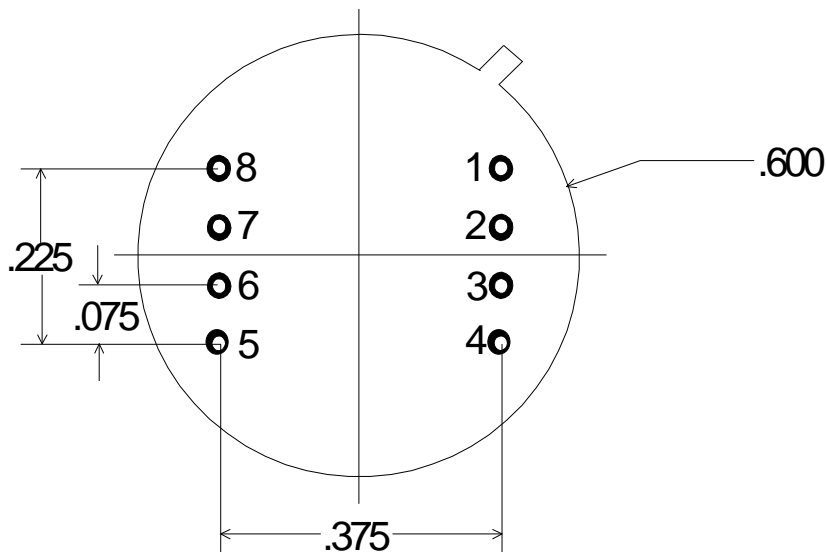
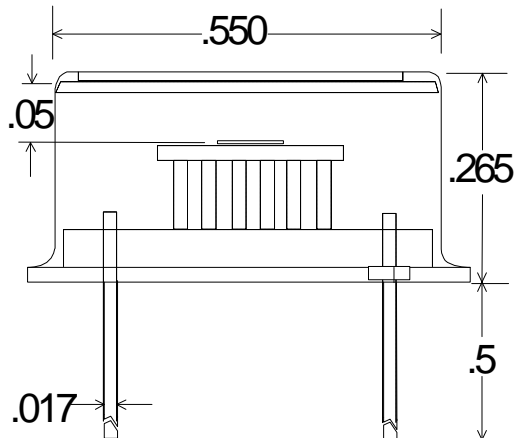


TO-STYLE PHOTODETECTOR / AMPLIFIER



PIN OUT

- 1 = Case
- 2 = Inv In
- 3 = GND
- 4 = -V
- 5 = Gain Select
- 6 = Output
- 7 = +V
- 8 = n/c

Note: Dimensions in Inches

APPLICATION NOTE

These units are high performance photoconductor / receiver modules operated at ambient temperature with a dual gain voltage amplifier. The detector's bias voltage is linked to the amplifier power supply and no additional biasing is necessary. The PC/AMP is an AC coupled dual gain detector system requiring a modulated input signal for operation.

SPECIFICATIONS @ 23° C NOM

| | | | |
|--------------------------------------|---|--|-----------------------|
| Part Number | | | PBS - 030 - E8 |
| Active Area | | | 3 mm x 3 mm |
| Operating Wavelength - μm | | | 1.0 - 2.8 |
| Responsivity - V/W @ pk | | | 10^7 |
| Noise - V/Hz ^{1/2} | | | 3×10^{-5} |
| NEP - W/Hz ^{1/2} @ pk | | | $< 3 \times 10^{-12}$ |
| Bandwidth (-3dB) - Hz | | | 5 - 500 Hz |
| Power Requirements | +/- 9 VDC to +/- 15 VDC | | |
| Connections | BNC signal output. Shielded power cable terminated with a DB-9 connector directly couples the unit with the PS -1 Low Noise Power Supply. | | |