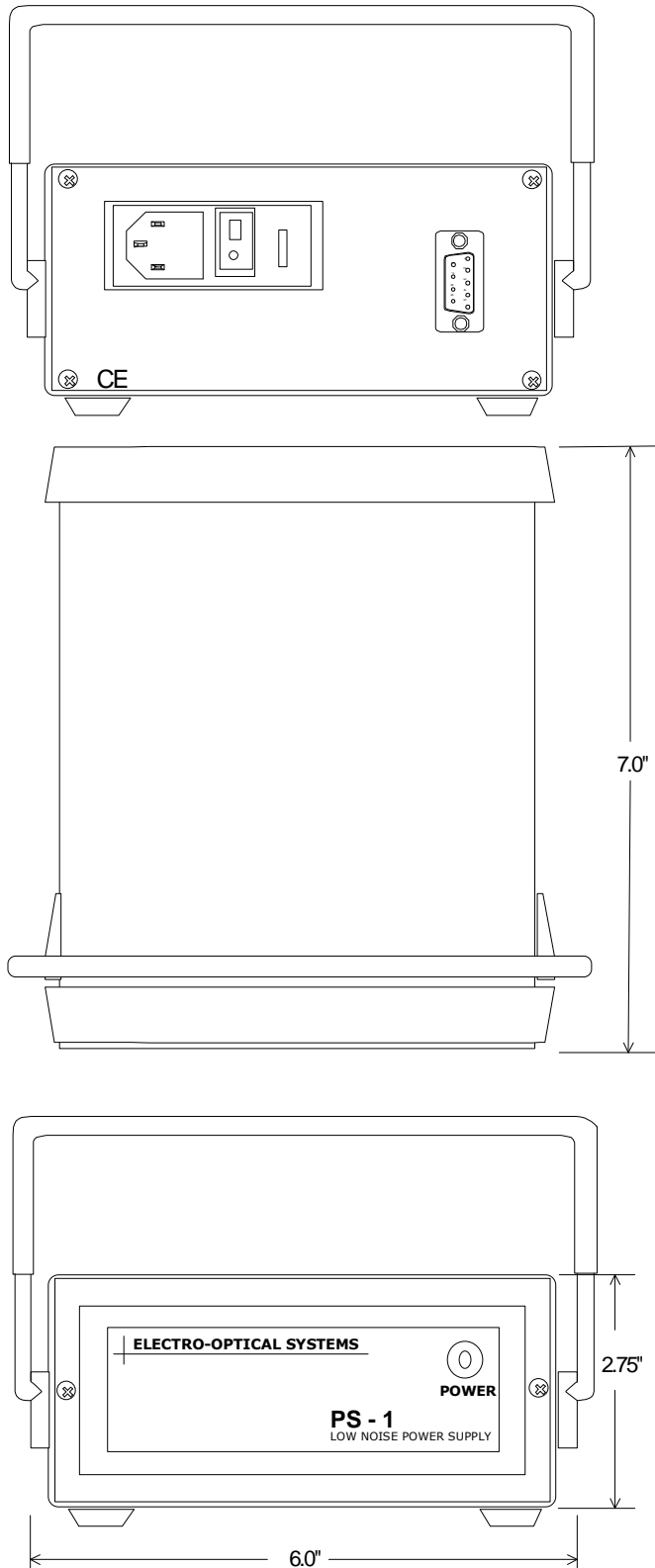


## PS-1 Low Noise Power Supply

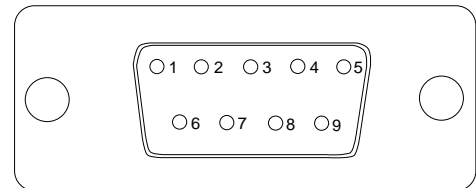


**Part No:** PS - 1

### Application Note

The **PS-1** is a low-noise power supply designed primarily for powering all Electro-Optical Systems' receivers and preamplifiers. In addition, the **PS-1** works well as a general purpose, dual polarity laboratory power supply.

**CAUTION:** Prior to use the input voltage must be properly set at either 115VAC or 230VAC. Unless otherwise specified, the factory setting is 115VAC. The voltage is selected by rotating the fuse assembly in the power entry module to read either 115 or 230.



### DB-9 PIN OUT

1	NO CONNECT	6	+V
2	NO CONNECT	7	-V
3	NO CONNECT	8	GND
4	NO CONNECT	9	CASE GND
5	NO CONNECT		

### SPECIFICATIONS

Output Voltage	± 15 V
Output Current	± 300 mA
Regulation	0.02 % line & load
Ripple	0.5 mV RMS max output
Connections	One 9-pin Dee-Plug Connector
Input Power	115 VAC/0.5 A & 230 VAC/0.5A



## PS-1 Low Noise Power Supply

The EOS power supplies are CE-marked units that can be operated on either 115VAC or 230VAC by a simple conversion of the power entry module as described below:

### POWER MODULE

