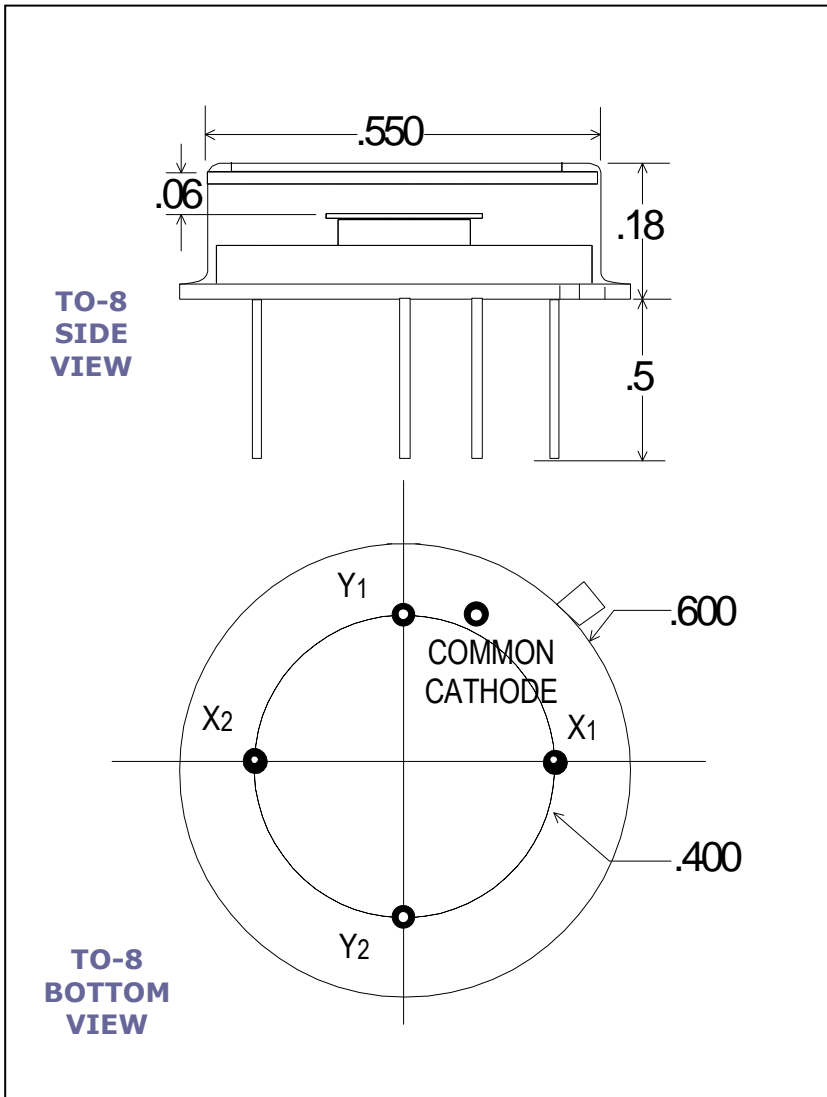


SILICON POSITION SENSOR PHOTODIODE



PIN OUT

- 1 = COMMON CATHODE
- 2 = ANODE A
- 3 = n/c
- 4 = ANODE B
- 5 = CASE
- 6 = ANODE C
- 7 = n/c
- 8 = ANODE D

NOTE:
Dimensions in millimeters

SPECIFICATIONS

Part Number	S - 050 - PSD
Active Diameter (mm)	5
Operating Wavelength (μm)	0.3 - 1.0
Shunt Resistance (Ω)	50 M
Shunt Capacitance (pF)	500
Responsivity (A/W)	0.55 @ .85 μm
Inter-electrode Resistance	500 ohms nom.

RoHS Compliant