

## THERMOELECTRICALLY COOLED PHOTODIODE

**Part No:**

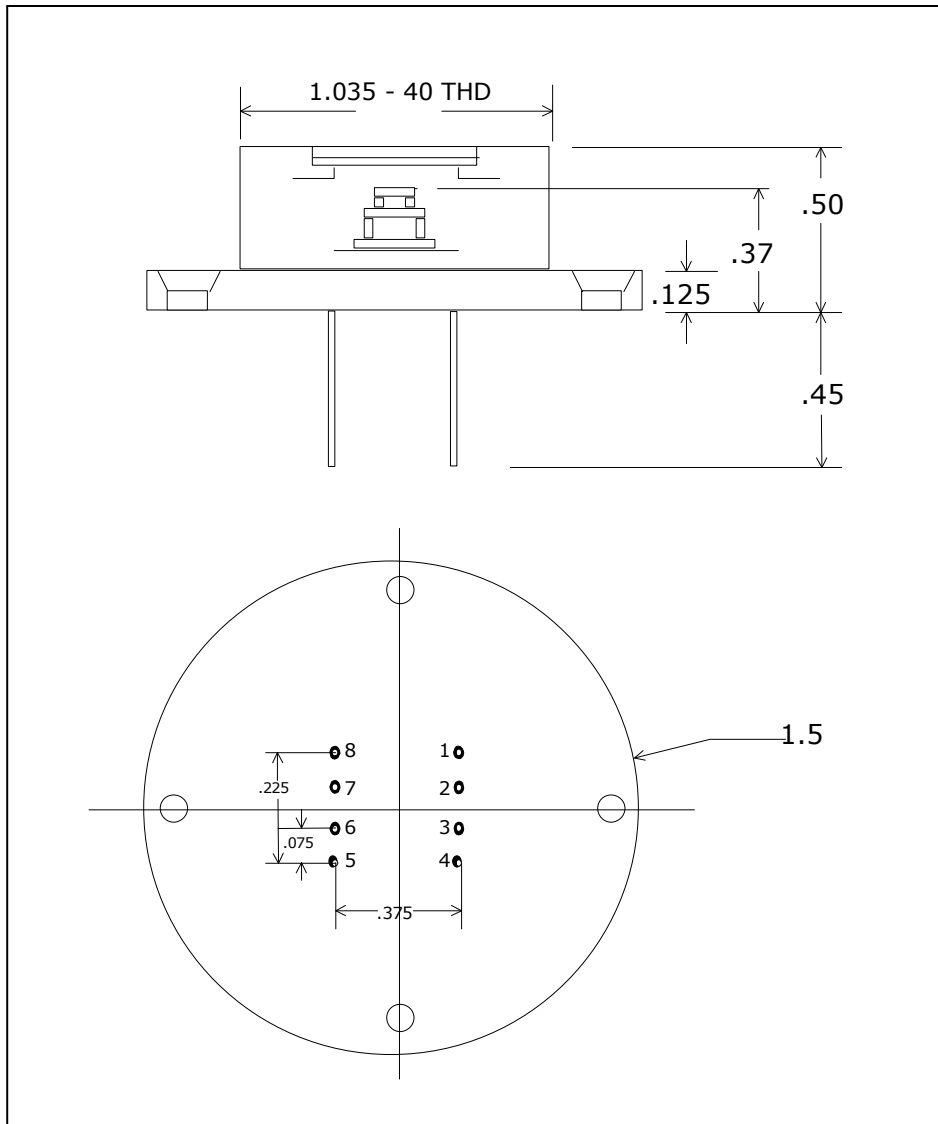
**G-100-TE2**

**PIN FUNCTION**

- 1 = Cooler (-)
- 2 = Thermistor
- 3 = Thermistor
- 4 = Cooler (+)
- 5 = Detector Cathode
- 6 = Detector Anode
- 7 = No Connect
- 7 = No Connect

**Note:**

**Dimensions in Inches**



### SPECIFICATIONS

Detector Type	10 mm x 10 mm Germanium Photodiode	
Temperature (°C)	22	-30
R <sub>shunt</sub>	2k ohms min	50k ohms min
C <sub>shunt</sub>	30000pf typ	30000pf typ
NEP @ 1.55	< 3.5 x 10 <sup>-12</sup>	< 7.0 x 10 <sup>-13</sup>
Responsivity (A/W)	0.9 min @ 1.55 μm	0.9 min @ 1.55 μm
Cooler Current (A), typ	0.0	0.7
Thermistor Resistance (kΩ)	1.5	40.0