

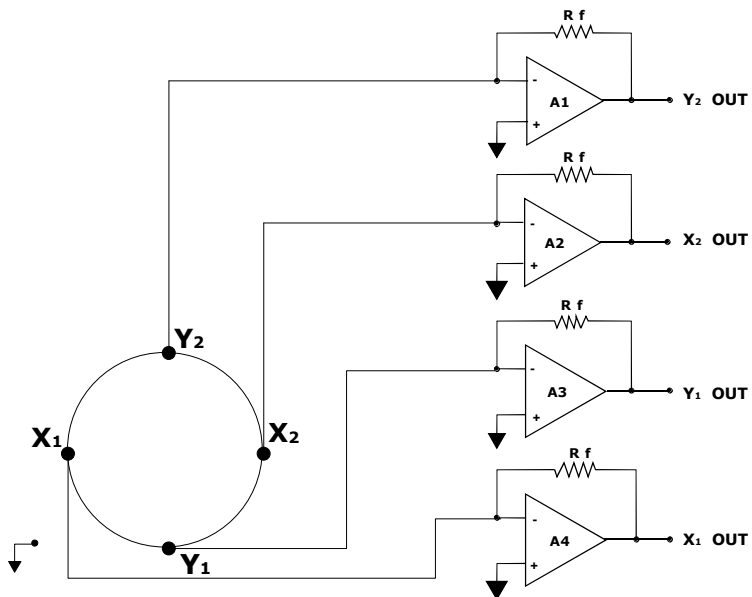
GERMANIUM PSD RECEIVER

Part no: G -130-PSD-E4

These units integrate the EOS PSD's with a 4-channel transimpedance amplifier in the H-series receiver module. Gain/bandwidth settings can be specified by the user. Standard settings are shown below.

Note:

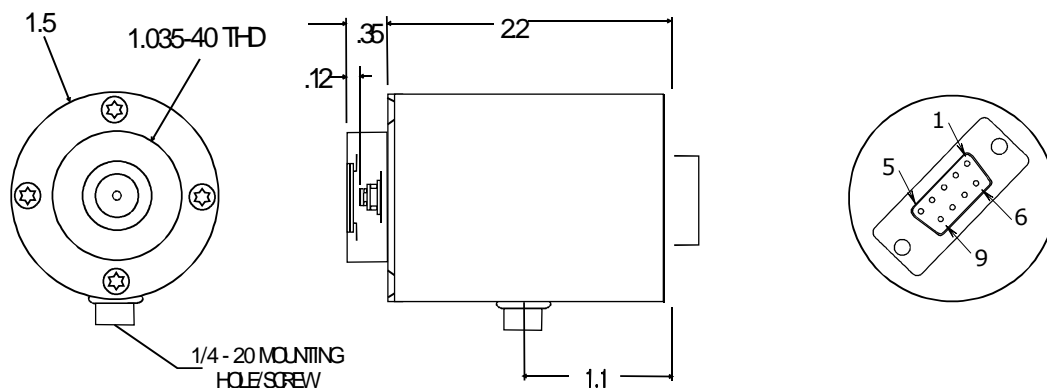
Units delivered with a PS-1 power supply have an adapter cable for power and the amplifier outputs.



9-PIN D-sub Connector

PIN

- 1 - Y₂ OUT
- 2 - X₂ OUT
- 3 - GND
- 4 - Y₁ OUT
- 5 - X₁ OUT
- 6 - +V
- 7 - -V
- 8 - GND
- 9 - CASE



SPECIFICATIONS	
Detector Type	Germanium Tetralateral Photodiode
Active Area	13 mm dia, overall
Wavelength Range	800 - 1800 nm
Amplifier Gain (Rf)	10 k ohms
Module Bandwidth	DC - 10 kHz
Position Resolution	< 1 micron, for 0.1 mW incident power
Power Requirements	+ , - 15 DVC; 40 Ma