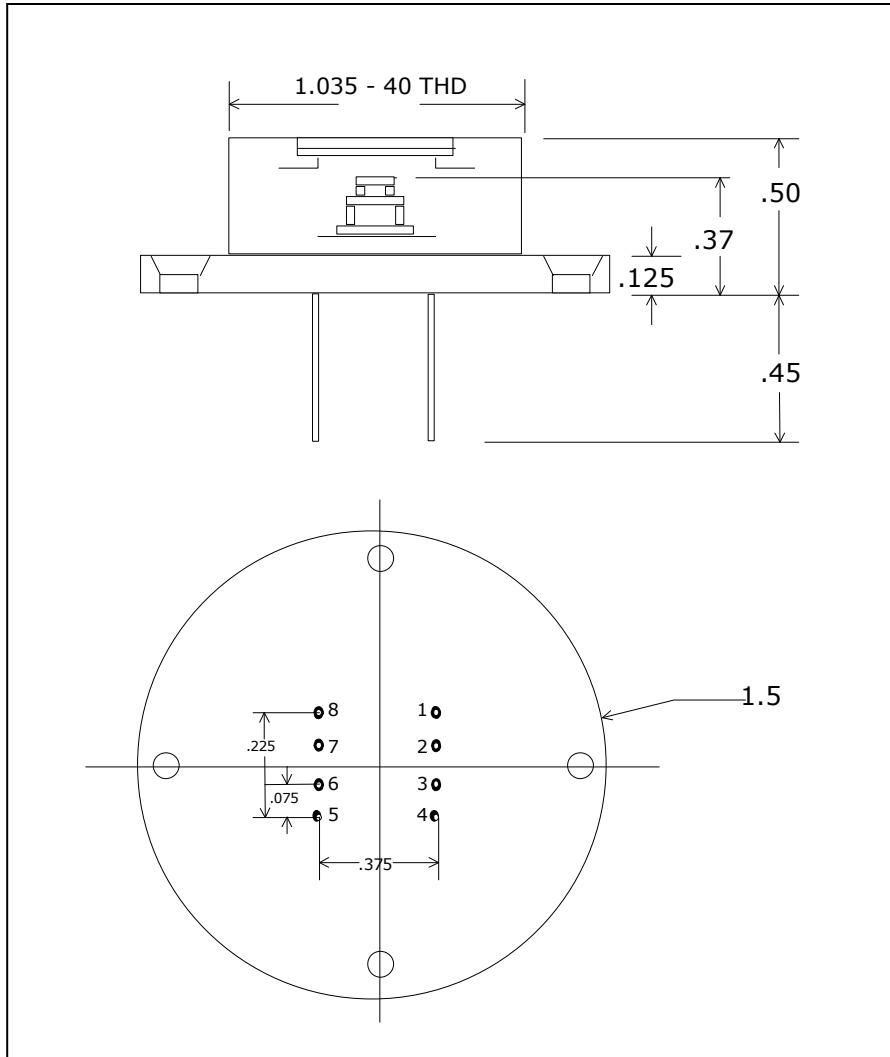




## THERMOELECTRICALLY COOLED PHOTODIODE



**Part No:**

**G-130-TE2**

**PIN FUNCTION**

- 1 = Cooler (-)
- 2 = Thermistor
- 3 = Thermistor
- 4 = Cooler (+)
- 5 = Detector Cathode
- 6 = Detector Anode
- 7 = No Connect
- 8 = No Connect

**Note:**

**Dimensions in Inches**

### SPECIFICATIONS

Detector Type	13 mm dia Germanium Photodiode	
Temperature (°C)	22 @ $I_{tec} = 0.0$ A	-30 @ $I_{tec} = .7$ A
$R_{shunt}$	1k ohms min	40k ohms min
$C_{shunt}$	30000pf typ	30000pf typ
NEP @ 1.55	$< 5 \times 10^{-12}$	$< 7.0 \times 10^{-13}$
Responsivity (A/W)	0.9 min @ 1.55 $\mu$ m	0.9 min @ 1.55 $\mu$ m
Cooler Current (A), typ	0.0	0.7
Thermistor Resistance (k $\Omega$ )	1.5	40.0