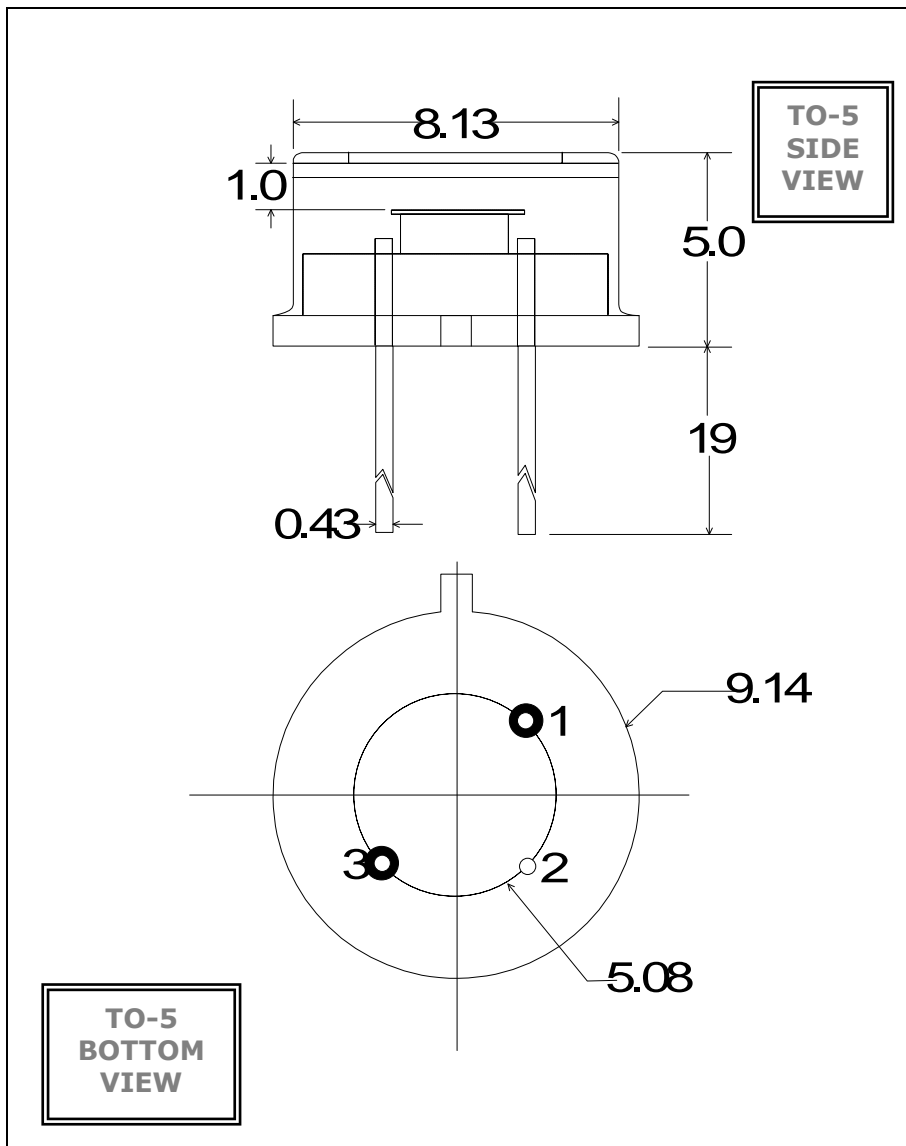


IGA SERIES PHOTODIODE



Part No: IGA - 020

PIN OUT

- 1 = ANODE
- 2 = CASE
- 3 = CATHODE

Note:

Dimensions in millimeters

Application Note

ELECTRO OPTICAL SYSTEMS offers room temperature photodiode detectors. The units have state-of-the-art sensitivity and may be supported by accessories such as optical filters (longpass and bandpass), integral preamplifiers, and fiber optic connectors. These units find applications in industrial control systems, gas analyzers, thermal sensors, and general fiber optic test instrumentation.

SPECIFICATIONS

Active Diameter (mm)	2.0 mm
Operating Wavelength	1.0 – 1.7
Shunt Resistance (Ω)	$\geq 10M$
Shunt Capacitance (pF)	400 TYP
Responsivity (A/W)	0.90 @ 1.3 μ m
NEP (W/Hz ^{1/2})	$<5.0 \times 10^{-14}$ @ 1.3 μ m, 100Hz

RoHS Compliant