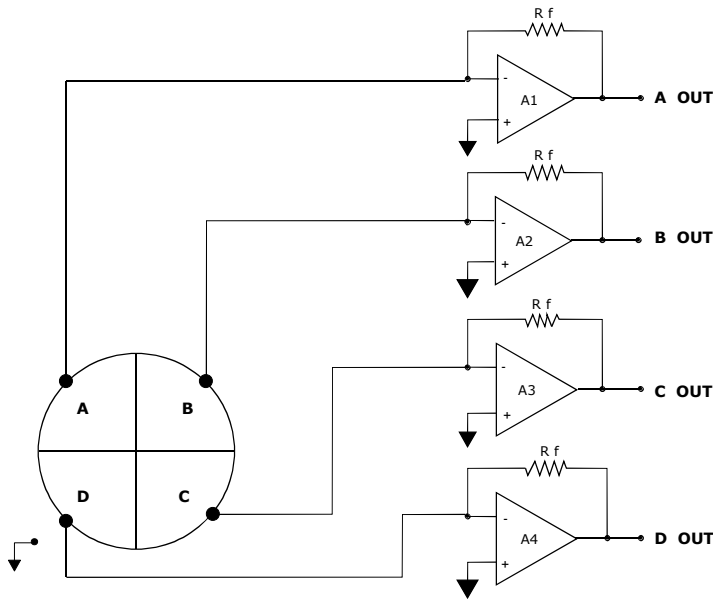


QUADRANT RECEIVERS



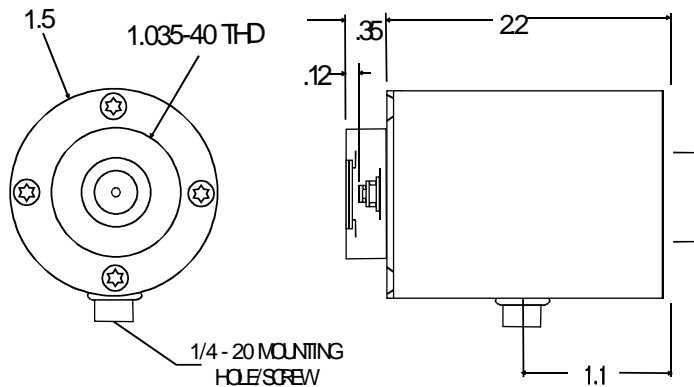
Part no:

IGA-030-QUAD-E4/1MHz

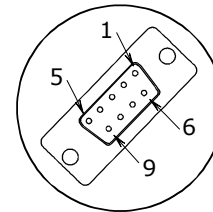
This unit integrates the EOS quadrant photodiodes with a 4-channel transimpedance amplifier in the H-series receiver module. Gain/bandwidth settings can be specified by the user. Standard settings are shown below.

Note:

Units delivered with a PS-1 power supply have an adapter cable for power and the amplifier outputs.



9-PIN D-sub Connector



PIN

- 1 - A OUT
- 2 - B OUT
- 3 - GND
- 4 - C OUT
- 5 - D OUT
- 6 - +V
- 7 - -V
- 8 - GND
- 9 - CASE

SPECIFICATIONS

Detector Type	InGaAs Quad Photodiode
Active Area	3.0 mm dia overall
Wavelength Range	1000 - 1700 nm
Amplifier Gain (Rf)	10 k ohms
Module Responsivity (V/W)	10^4 , each channel
Module Bandwidth	DC - 1 MHz
NEP	$< 4 \times 10^{-12}$ W/Hz ^{1/2}
Power Requirements	+ , - 15 DVC; 20 mA