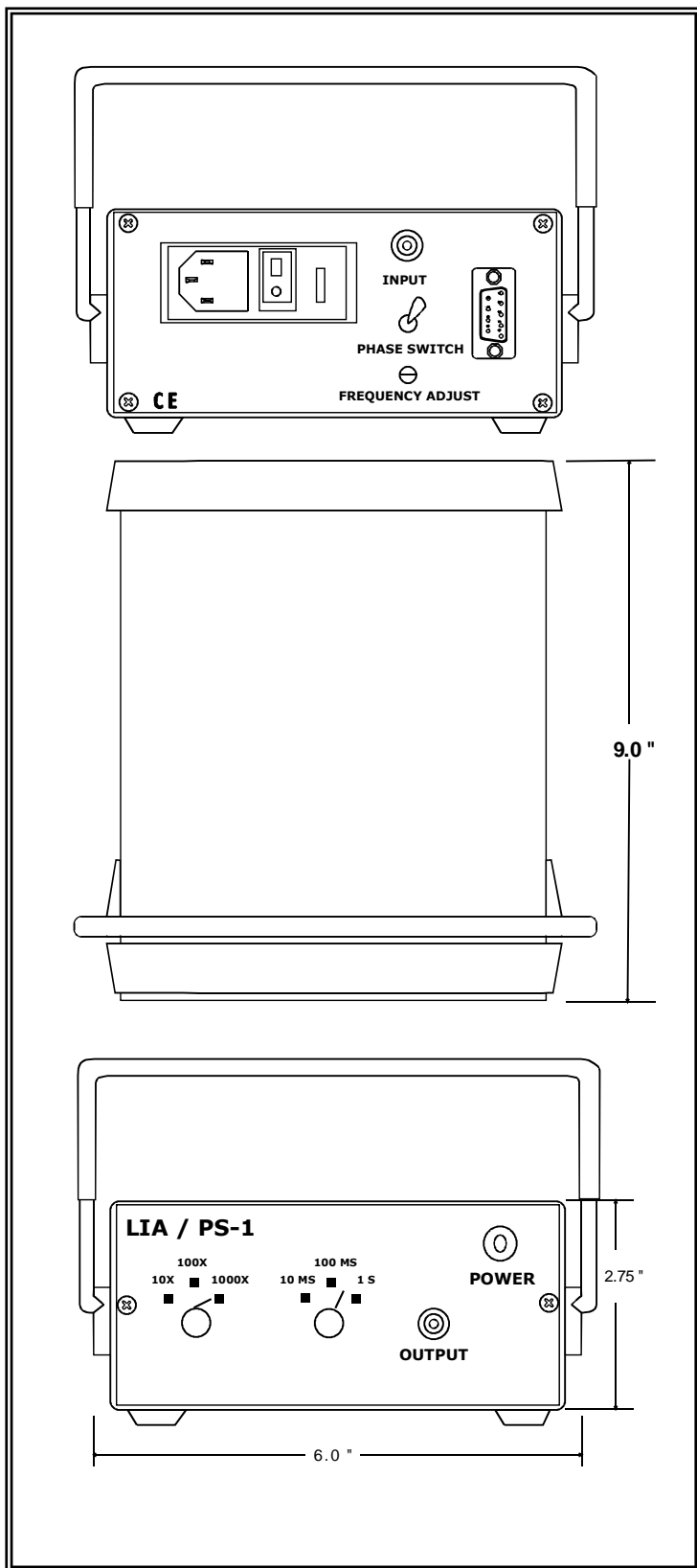
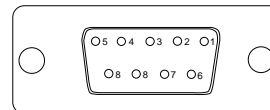


LIA/PS-1/CC LOCK-IN AMP/POWER SUPPLY/CHOPPER CONTROLLER



The **LIA/PS-1/CC** is a combination lock-in amplifier low noise power supply and chopper controller, powering all Electro - Optical Systems' receivers and interfacing to the receiver preamplifiers. In addition, the PS-1 works well as a general purpose, dual - polarity laboratory power supply.



DB-9 PIN OUT

- | | | | |
|---|-------------------|---|----------|
| 1 | CHOPPER MOTOR (+) | 6 | + V |
| 2 | CHOPPER MOTOR (-) | 7 | - V |
| 3 | 5V | 8 | GND |
| 4 | REF IN | 9 | CASE GND |
| 5 | REF CATHODE | | |

SPECIFICATIONS

POWER SUPPLY

Output Voltage	± 15 V
Output Current	± 100 mA
Regulation	0.02 % line & load
Ripple	0.5 mV RMS max output

LOCK - IN AMPLIFIER

Dynamic Range	0 - 60 db
Input Noise	8 nv @ 500 Hz
Gain Adj	10 - 1000
Gain Stability	100 ppm / C
Time Constant	10 ms - 1 s
Max Input Range	+/- 10 V
Input Impedance	35K ohms @ 500 Hz
Reference Input Sensitivity	± 10 mV
Phase Select	0 / 180
Phase Drift	0.1 / ° C
Temperature Range	0 - 70 ° C

FRONT PANEL

Power Light	On when the power input module (rear panel) is depressed in the 1 position
Output BNC Connector	Signal Output
Gain Switch	3 position selector switch gain settings: 10x, 100x, 1000x.
TC Switch	3 position selector switch time constant settings: 10ms, 100ms, 1s

REAR PANEL

Power Entry Module	Accepts 115/230 vac, double fused. 0 position is OFF, 1 position is ON
DB9 Connector	Chopper Control / Power Supply
Toggle Switch	Switches input signal phase 0 / 180
BNC Connector	Detector Input Signal
Trim Potentiometer	Chopper Frequency Control (5 - 3 KHz)