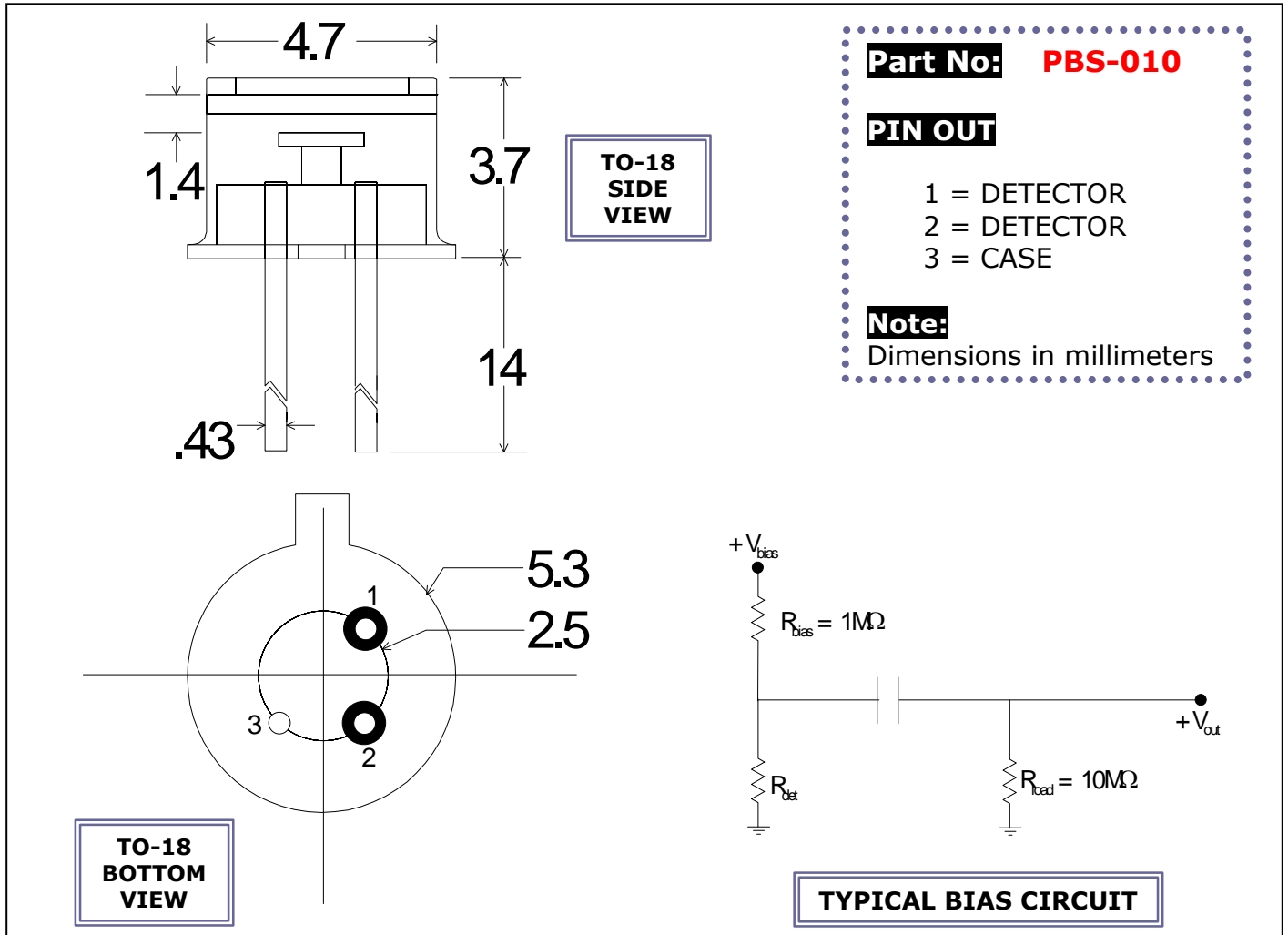


## PBS - SERIES PHOTOCONDUCTOR



### Application Note

ELECTRO OPTICAL SYSTEMS offers room temperature PbSe photoconductor detectors for operation in the 1.0 - 4.5  $\mu\text{m}$  spectral range. The units have state-of-the-art sensitivity and may be supported by accessories such as optical filters (longpass and bandpass), integral preamplifiers, and infrared source assemblies. These units find applications in industrial control systems, gas analyzers, thermal sensors, and general infrared instrumentation.

### SPECIFICATIONS

Active Area	1mm x 1mm
Operating Temperature ( $^{\circ}\text{C}$ )	22
Operating Wavelength	1.0 - 2.8
Dark Resistance ( $M\Omega$ )	0.3 - 1.5
Time Constant ( $\mu\text{s}$ ),	300 typ
Voltage Bias (V)	50
Responsivity @ $\lambda_p$ (V/W)	$\geq 10^5$
$D^*$ @ $\lambda_p$ ( $\text{cm Hz}^{1/2}/\text{W}$ )	$\geq 1 \times 10^{11}$

**RoHS Compliant**