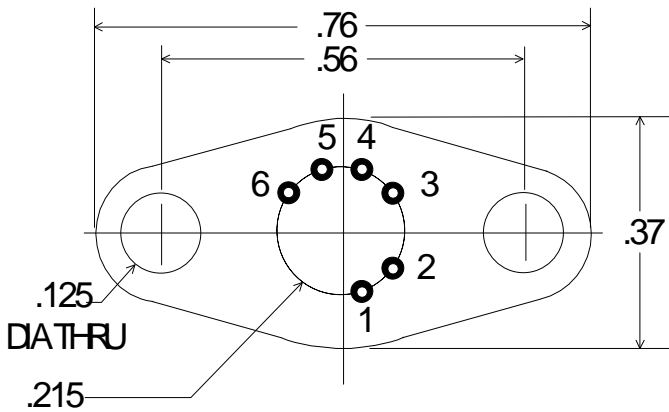
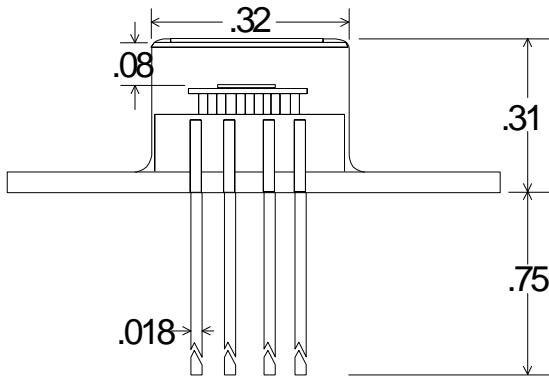


## TE - COOLED PHOTODETECTOR



**Part no.**

**PBS-030-TE1/TO37**

**PIN OUT**

- 1 = THERMISTOR
- 2 = THERMISTOR
- 3 = COOLER (+)
- 4 = COOLER (-)
- 5 = DETECTOR
- 6 = DETECTOR

**Note:**

*Dimensions in Inches*

### Operating Note

The TE cooled photodetector series consists of a high performance photoconductor mounted on a thermoelectric cooler, all housed in a TO-37 package. A thermistor is mounted to the TEC's cold plate to provide a precise, reliable temperature monitor. Before operation VERIFY ELECTRICAL WIRING, else catastrophic damage may be sustained by the unit. Electrical power consumption can exceed 1 watt (1V / 1.00A); therefore, this package must be suitably heat sunk. Thermal grease with secure clamping is recommended for power dissipation. Temperature levels below  $-10^{\circ}\text{C}$  are possible with an optimized mechanical assembly.

### SPECIFICATIONS

Operating Temperature ( $^{\circ}\text{C}$ )	22	-10
Active Area	3mm x 3mm	
Detector Resistance ( $\Omega$ ), typ	0.5 - 2.0 M	0.7 - 4.0 M
Responsivity (2.6 $\mu\text{m}$ ) V/W,	$1 \times 10^5$	$2 \times 10^5$
$D^*$ (2.6 $\mu\text{m}$ ,500Hz,1Hz) $\text{cm}\cdot\text{Hz}^{1/2}/\text{W}$	$> 8 \times 10^{10}$	$> 2 \times 10^{11}$
Thermistor Resistance (k $\Omega$ )	1.7 nom	7.5 nom
Cooler Current (A)	0.0	0.65
Maximum Cooler Current (A)	1.00	