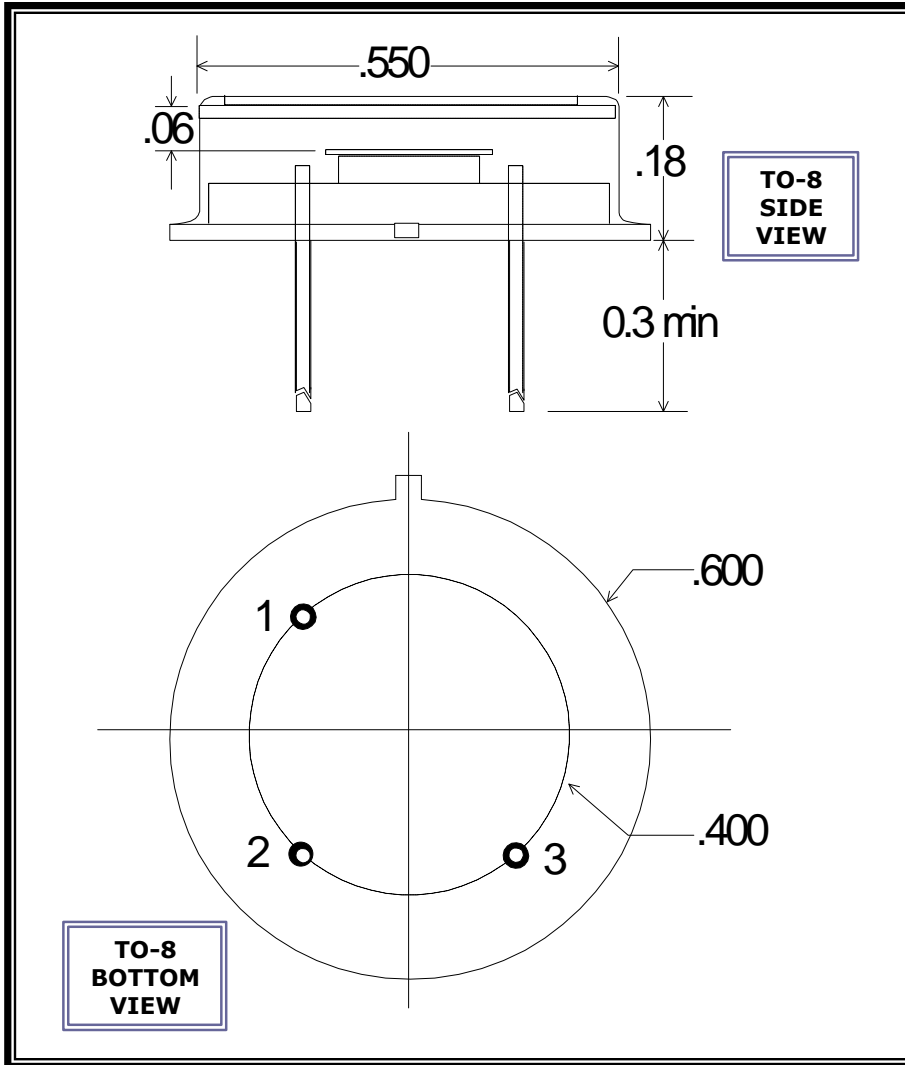


PBS - SERIES PHOTOCONDUCTORS



PIN OUT

- 1 = DETECTOR
- 2 = CASE
- 3 = DETECTOR

Note:

Dimensions in millimeters

Application Note

ELECTRO OPTICAL SYSTEMS offers room temperature infrared detectors. The units have state-of-the-art sensitivity and may be supported by accessories such as optical filters (longpass and bandpass), integral preamplifiers, and infrared source assemblies. These units find applications in industrial control systems, gas analyzers, thermal sensors, and general infrared instrumentation.

SPECIFICATIONS

Part Numbers	PBS - 060
Active Area	6 mm x 6 mm
Operating Temperature (°C)	22
Operating Wavelength	1.0 – 2.8 μm
Dark Resistance (MΩ)	0.2 – 1.0
Time Constant (μs)	300 typ
Voltage Bias (V)	100 with 1M series resistor
Responsivity @ λ_p (V/W)	5×10^4
$D^* @ \lambda_p$ (cm Hz ^{1/2} /W)	0.6×10^{11}