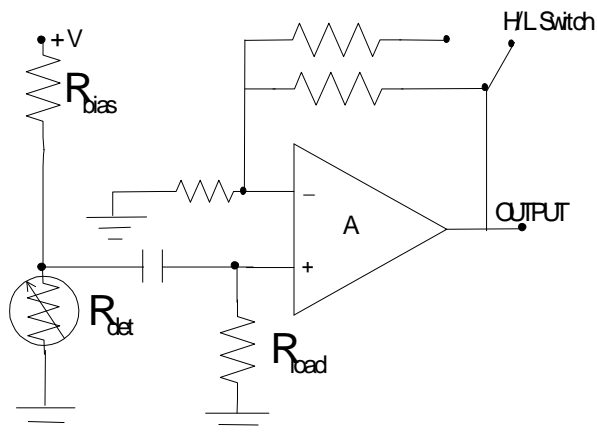
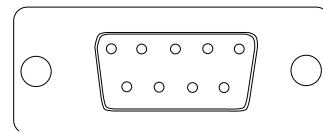


PBS - SERIES PHOTCONDUCTOR / RECEIVER

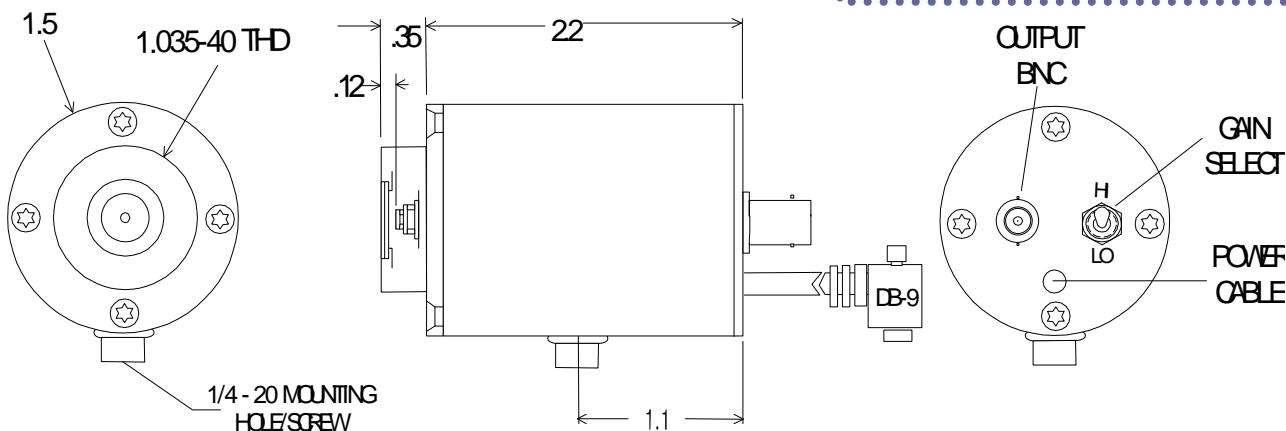


Part no: PBS-100-H



DB-9 PIN OUT

- | | | | |
|---|------------|---|----------|
| 1 | NO CONNECT | 6 | +V |
| 2 | NO CONNECT | 7 | -V |
| 3 | NO CONNECT | 8 | GND |
| 4 | NO CONNECT | 9 | CASE GND |
| 5 | NO CONNECT | | |



Application Note

This unit is a high performance photoconductor/receiver operated at ambient temperature with a dual gain voltage amplifier. The detector's bias voltage is linked to the amplifier power supply and no additional biasing is necessary. The PC/AMP is an AC coupled dual gain detector system requiring a modulated input signal for operation.

SPECIFICATIONS

SPECIFICATIONS	
Detector Type	10 x 10 mm PbS Photoconductor
Operating Temperature- °C	22
Operating Wavelength - μm	1.0 – 2.8
Responsivity- V/W @ pk	10⁶ / 10⁵
Noise- V/Hz^{1/2}	15 x 10⁻⁶ / 1.5 x 10⁻⁶
NEP- W/Hz^{1/2} @ pk	1.5 x 10⁻¹¹
Bandwidth (-3dB)- Hz	5 – 500
Power Requirements	+/- 9 VDC to +/- 15 VDC
Connections	BNC signal output. Shielded power cable terminated with a DB-9 connector directly couples the unit with the PS -1 Low Noise Power Supply.