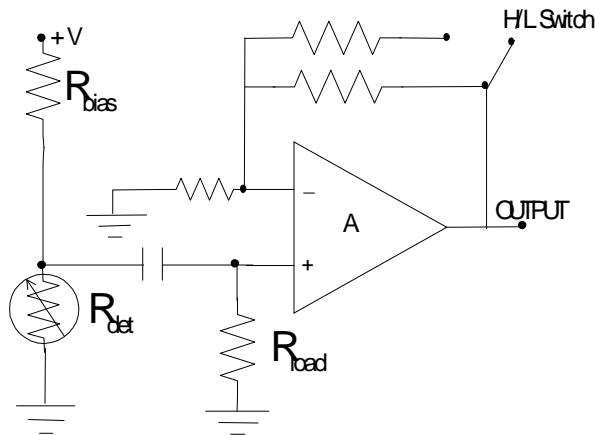
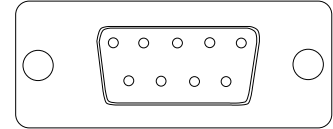


PBSE SERIES PHOTONDUCTOR / RECEIVER

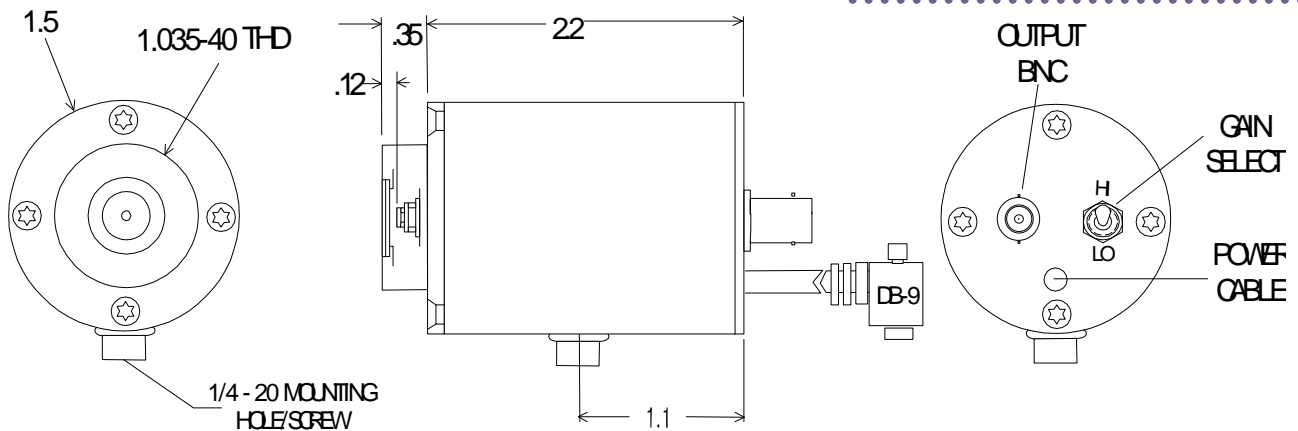


Part no: PBSE-030-H



DB-9 PIN OUT

- | | | | |
|---|------------|---|----------|
| 1 | NO CONNECT | 6 | +V |
| 2 | NO CONNECT | 7 | -V |
| 3 | NO CONNECT | 8 | GND |
| 4 | NO CONNECT | 9 | CASE GND |
| 5 | NO CONNECT | | |



Application Note This unit is a high performance photoconductor/receiver operated at ambient temperature with a dual gain voltage amplifier. The detector's bias voltage is linked to the amplifier power supply and no additional biasing is necessary. The PC/AMP is an AC coupled dual gain detector system requiring a modulated input signal for operation.

SPECIFICATIONS

SPECIFICATIONS	
Detector Type	3 x 3 mm PbSe Photoconductor
Operating Temperature- °C	22
Operating Wavelength - μm	1.0 – 4.5
Responsivity- V/W @ pk	$10^6 / 10^5$
Noise- V/Hz^{1/2}	$10^{-4} / 10^{-5}$
NEP- W/Hz^{1/2} @ pk	1×10^{-10}
Bandwidth (-3dB)- Hz	10 – 2kHz
Power Requirements	+/- 9 VDC to +/- 15 VDC
Connections	BNC signal output. Shielded power cable terminated with a DB-9 connector directly couples the unit with the PS -1 Low Noise Power Supply.