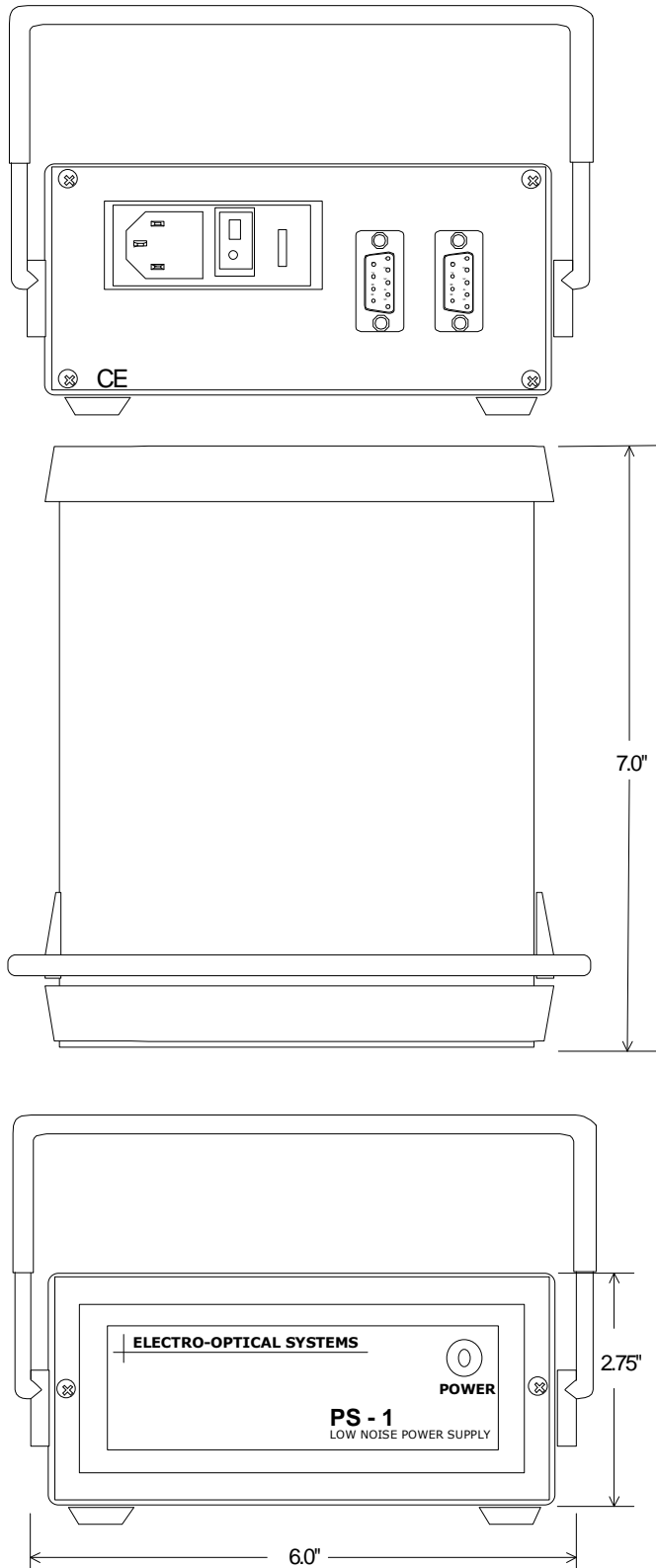


2 Channel Low Noise Power Supply

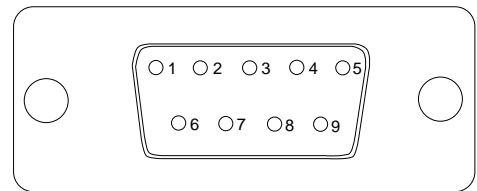


Part No: PS - 1 / 2C

Application Note

The **PS-1/2C** is a dual channel low-noise power supply designed primarily for powering all Electro-Optical Systems' receivers and preamplifiers. In addition, the **PS-1/2C** works well as a general purpose, dual polarity laboratory power supply.

CAUTION: Prior to use the input voltage must be properly set at either 115VAC or 230VAC. Unless otherwise specified, the factory setting is 115VAC. The voltage is selected by rotating the fuse module on the back of the unit to read either 115V or 230V..



DB-9 PIN OUT

1	NO CONNECT	6	+V
2	NO CONNECT	7	-V
3	NO CONNECT	8	GND
4	NO CONNECT	9	CASE GND
5	NO CONNECT		

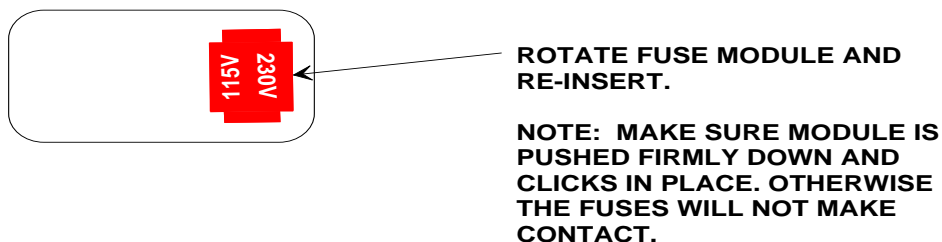
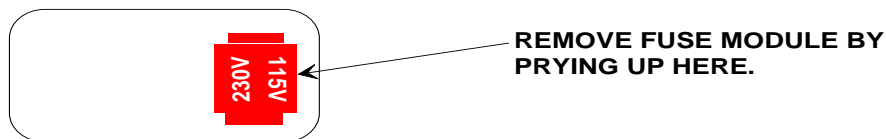
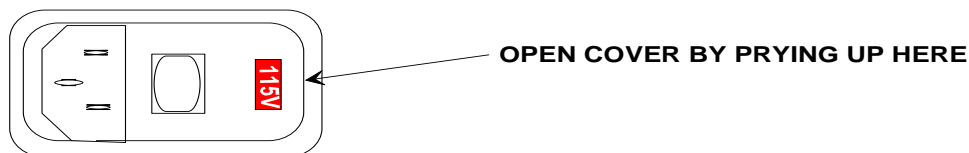
SPECIFICATIONS

Output Voltage	± 15 V
Output Current	± 300 mA
Regulation	0.02 % line & load
Ripple	0.5 mV RMS max output
Connections	One 9-pin Dee-Plug Connector
Input Power	115 VAC/0.5 A & 230 VAC/0.5A

POWER ENTRY MODULE CONVERSION

The EOS power supplies are CE-marked units that can be operated on either 115VAC or 230VAC by a simple conversion of the power entry module as described below:

POWER MODULE



NOTE: MAKE SURE MODULE IS PUSHED FIRMLY DOWN AND CLICKS IN PLACE. OTHERWISE THE FUSES WILL NOT MAKE CONTACT.

