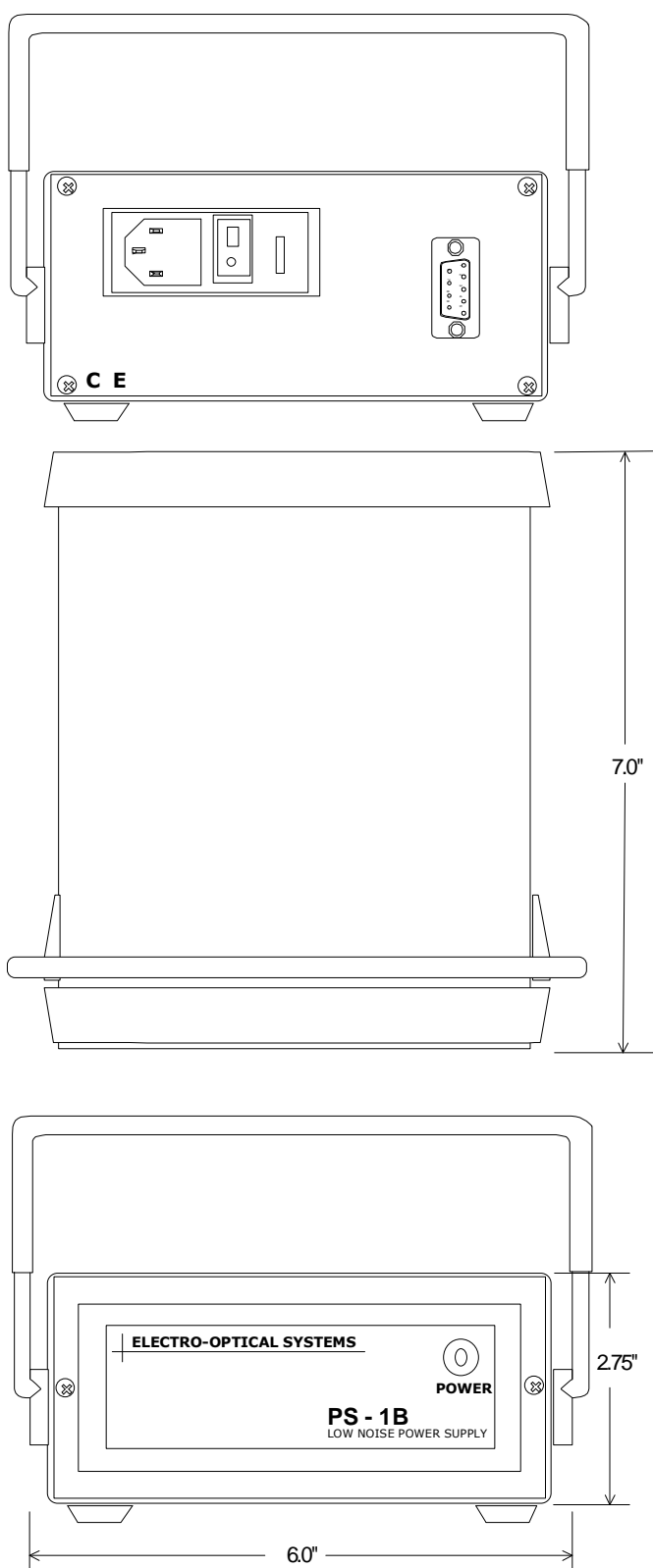
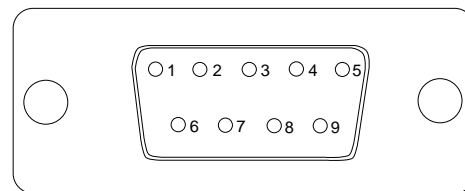


## PS-1B Ultra-Low Noise Power Supply



The PS-1B is a low-noise, battery operated power supply designed primarily for powering all Electro-Optical Systems' receivers and preamplifiers. In addition, the PS-1B works well as a general purpose, dual polarity laboratory power supply.

**CAUTION:** Prior to use the input voltage must be properly set at either 115VAC or 230VAC. See the Power Entry Module instruction sheet. Unless otherwise specified, the factory setting is 115VAC.



### DB-9 PIN OUT

1	NO CONNECT	6	+V
2	NO CONNECT	7	-V
3	NO CONNECT	8	GND
4	NO CONNECT	9	CASE GND
5	NO CONNECT		

### SPECIFICATIONS

Output Voltage	± 12V
Output Current	± 100 mA
Battery Cap.	1.3 AH
Charger	Integral
Connections	One 9-pin Dee-Plug Connector
Input Power	115 VAC/0.5 A & 230 VAC/0.5A



## PS-1B Ultra-Low Noise Power Supply

~~CONFIDENTIAL~~

The PS-1B will operate as a standard PS-1 when plugged into AC power (115VAC or 230VAC), or as a battery powered supply. In the PS-1 mode the output will be +/- 15VDC; in the battery powered mode the output will be +/- 12VDC.

A battery charger is an integral part of the supply. The batteries are fully charged at the time of shipment. For battery capacity vs operating time refer to the battery discharge curve. EOS standard receiver modules require approximately +/- 5VDC to +/- 15VDC @ 5 to 50ma depending on detector type and specifications.

### OPERATING THE PS-1B

#### Front Panel Controls:

- **Rocker Switch:** Connects battery voltage monitor to the battery.
- **Center Indicator Light:** 1) **ON** in **Battery Mode** or **Battery Charge Mode**.  
2) **FLASHING** when batteries drop below 10V.
- **Right Power Light:** **ON** in **Power Supply Mode** or **Battery Charge Mode**.

#### Rear Panel Controls:

- **Power Entry Module:** Connect to AC power and turn **ON** for **Power Supply Mode** or **Battery Charge Mode**. Turn **OFF** for **Battery Mode**.
- **Top Toggle Switch:** **UP** position for **Battery Mode**.  
**DOWN** position for **Power Supply Mode**.  
**CENTER** position for **OFF**.
- **Bottom Toggle Switch:** **UP** position turns battery charger **ON**.  
**DOWN** position turns battery charger **OFF**.
- **Male DB9 Connector:** Provides output power per pin diagram.

#### Setting the Operating Mode:

- **Battery Mode:**
  - Front panel rocker switch should be turned **ON**. Center indicator light will be **ON**, right indicator light will be **OFF**.
  - Rear Power Entry Module should be switched **OFF**.
  - Rear top toggle switch should be in **UP** position.



## PS-1B Ultra-Low Noise Power Supply

- Rear bottom toggle switch should be in **DOWN** position.
  - **Power Supply Mode:**
    - Front panel rocker switch should be turned **OFF**. Center indicator light will be **OFF**, right indicator light will be **ON**.
    - Rear power entry module should be switched **ON**.
    - Rear top toggle switch should be in **DOWN** position.
    - Rear bottom toggle switch should be in **DOWN** position.
  - **Battery Charge Mode:**
    - Front panel rocker switch should be turned **OFF**. Center indicator light will be **OFF**, right indicator light will be **ON**.
    - Rear power entry module should be switched **ON**.
    - Rear top toggle switch should be in the **CENTER** position.
    - Rear bottom toggle switch should be in the **UP** position.
- NOTE:** When the battery monitor is flashing, indicating that the batteries have discharged to 10VDC, full charging will take up to 8 hours.

