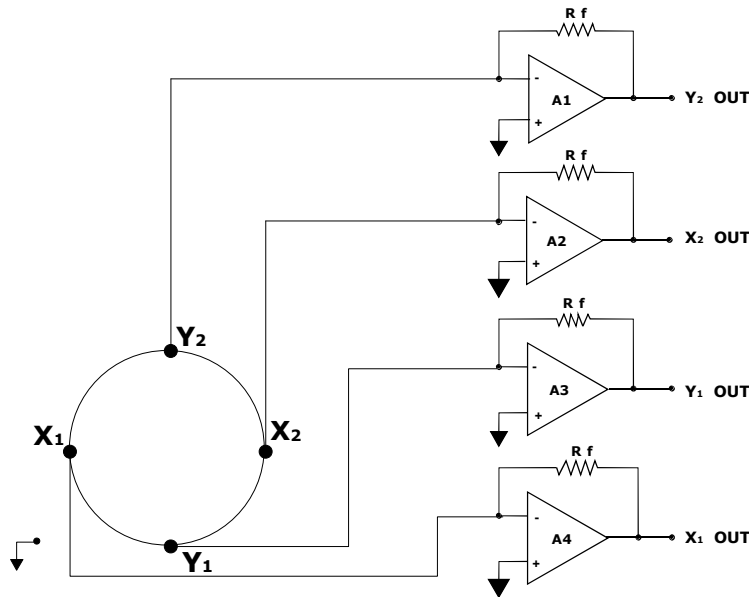


IGA PSD RECEIVER



Part no

S-025-PSD-E4

These units integrate the EOS PSD's with a 4-channel transimpedance amplifier in the H-series receiver module. Gain/bandwidth settings can be specified by the user. Standard settings are shown below.

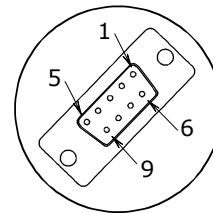
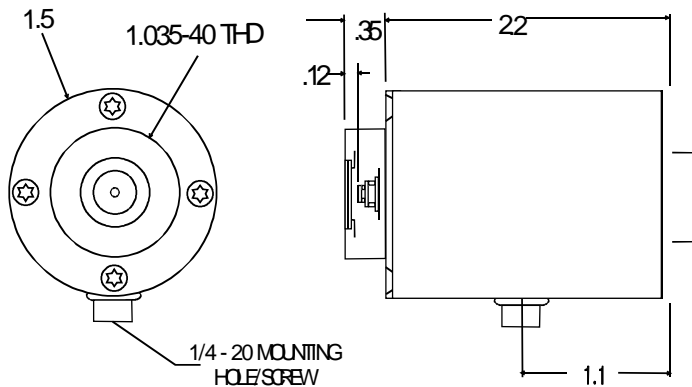
Note:

Units delivered with a PS-1 power supply have an adapter cable for power and the amplifier outputs.

9-PIN D-sub Connector

PIN

- 1 - Y₂ OUT
- 2 - X₂ OUT
- 3 - GND
- 4 - Y₁ OUT
- 5 - X₁ OUT
- 6 - +V
- 7 - -V
- 8 - GND
- 9 - CASE



SPECIFICATIONS

Detector Type	S-025-PSD Tetralateral Photodiode
Active Diameter	2.5 mm overall
Wavelength Range	300 - 1000 nm
Amplifier Gain (Rf)	1M ohms
Output Offset Voltage	< 10mV, each channel
Module Bandwidth	DC - 20 kHz+
Position Resolution	< 1 micron, for 0.1 mW incident power
Power Requirements	+ , - 15 DVC; 40 mA