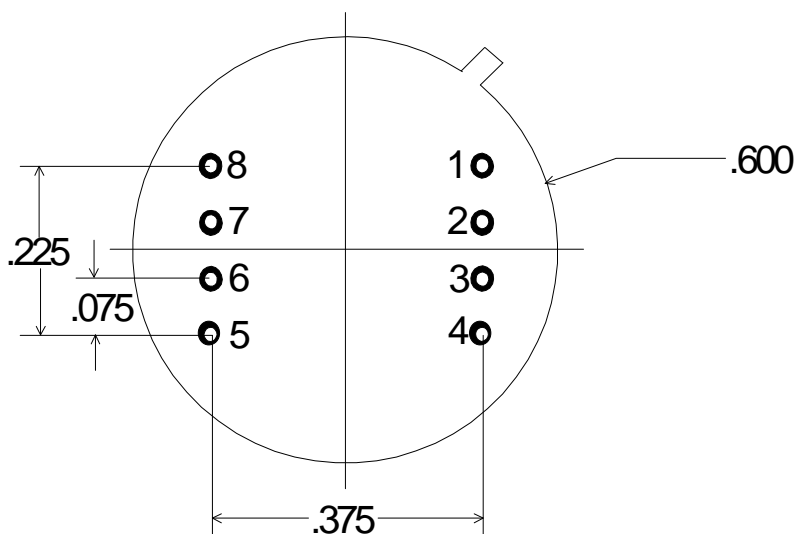
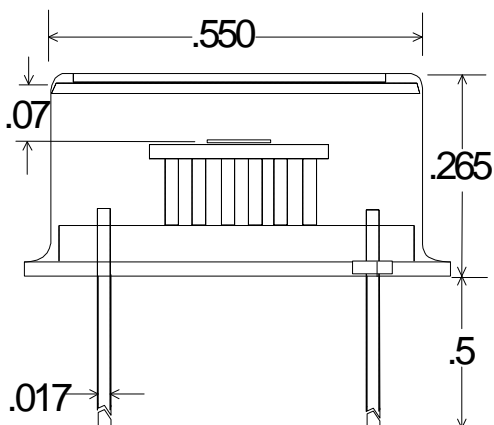


## TE - COOLED PHOTODIODE



**Part No:** S - 025 - TE1

**PIN OUT**

- 1 = COOLER (-)
- 2 = THERMISTOR
- 3 = THERMISTOR
- 4 = COOLER (+)
- 5 = DETECTOR CATHODE
- 6 = DETECTOR ANODE
- 7 = NO CONNECT
- 8 = NO CONNECT

**Note:** Dimensions in Inches

### Operating Note

The TE cooled photodiode series consists of a high performance photodiode mounted on a thermoelectric cooler, all housed in a TO-8 package. A thermistor is mounted to the TEC's cold plate to provide a precise, reliable temperature monitor. Before operation VERIFY ELECTRICAL WIRING, else catastrophic damage may be sustained by the unit. Electrical power consumption can exceed 2.5 Watts (2V / 1.25A); therefore, this package must be suitably heat sunk. Thermal grease with secure clamping is recommended for power dissipation. Temperature levels below -25°C are possible with an optimized mechanical assembly.

### SPECIFICATIONS – 2.5MM DIA SILICON PHOTODIODE

Operating Temperature (°C)	23	-10
Shunt Resistance (MΩ)	200 min; 400 typ	> 1000
Shunt Capacitance (pF)	300 typ	300 typ
Responsivity @ 0.80 μm (A/W)	0.55	0.55
NEP @ 0.80um (W/Hz <sup>1/2</sup> )	< 1.9 x 10 <sup>-14</sup>	< 1.0 x 10 <sup>-14</sup>
Thermistor Resistance (kΩ)	1.8 typ	7.8 typ
Cooler Current (A)	0.0	0.55
Maximum Cooler Current (A)	1.00	