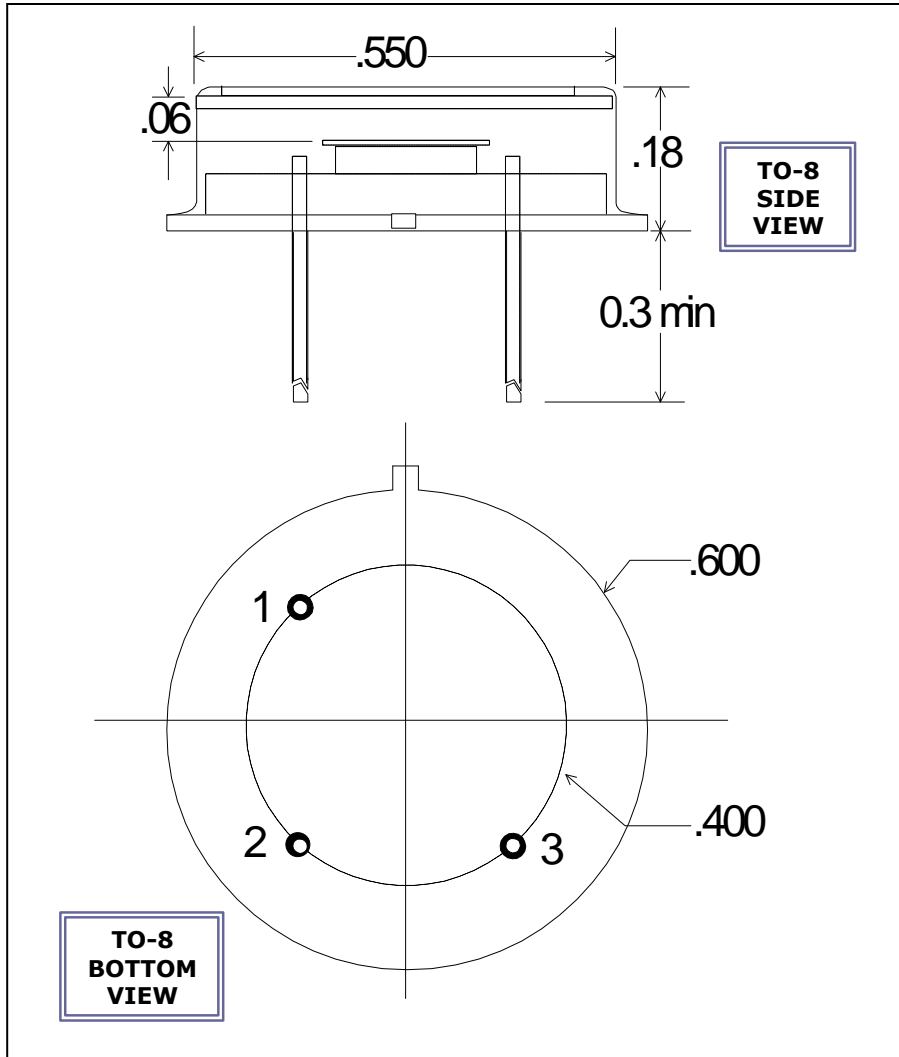


PHOTODIODE DETECTOR



Part No: S-050

PIN OUT

- 1 = ANODE
- 2 = CASE
- 3 = CATHODE

Note:

Dimensions in millimeters

Application Note

ELECTRO OPTICAL SYSTEMS offers room temperature photodiode detectors. The units have state-of-the-art sensitivity and may be supported by accessories such as optical filters (longpass and bandpass), integral preamplifiers, and infrared source assemblies. These units find applications in industrial control systems, gas analyzers, thermal sensors, and general infrared instrumentation.

SPECIFICATIONS – S-050 Silicon Photodiode

Active Diameter (mm)	5
Operating Wavelength (nm)	300 - 1100
Shunt Resistance (Ω)	50M min ; 150M typ
Shunt Capacitance (pF)	1500 typ
Responsivity (A/W)	0.55 @ 850 nm
NEP ($W/Hz^{1/2}$)	$< 3.0 \times 10^{-14}$ @ 850 nm

RoHS Compliant