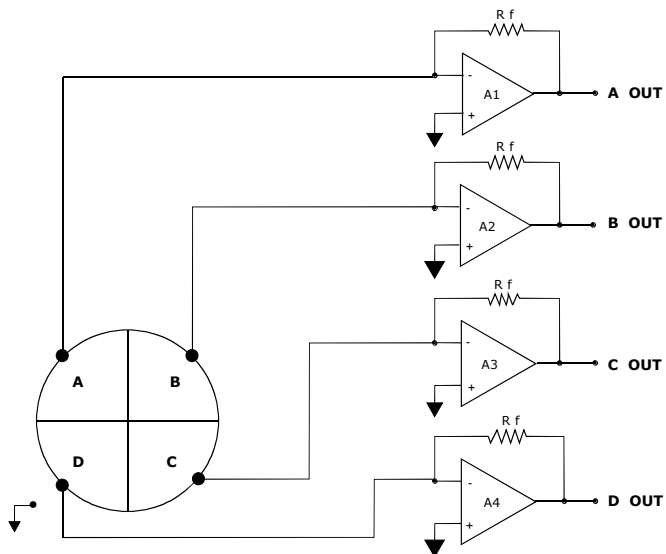


QUADRANT RECEIVER MODULE



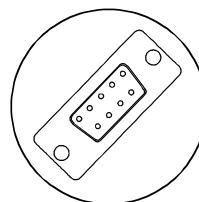
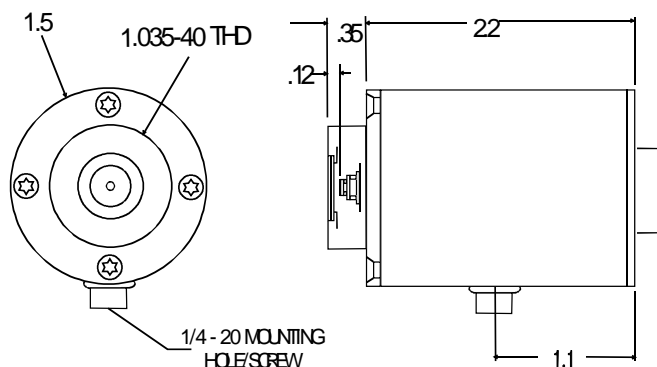
Part no: S - 100 - QUAD - E4

This unit integrates the EOS quadrant photodiodes with a 4-channel transimpedance amplifier in the H-series receiver module. Gain/bandwidth settings can be specified by the user. Standard settings are shown below.

9-PIN D-sub Connector

PIN

- 1 - A OUT
- 2 - B OUT
- 3 - GND
- 4 - C OUT
- 5 - D OUT
- 6 - +V
- 7 - -V
- 8 - GND
- 9 - CASE



SPECIFICATIONS

Detector Type	Si Quad Photodiode
Active Area	10.0 mm dia overall, < .050 mm gap
Wavelength Range	400 - 1100 nm
Amplifier Gain (Rf)	100 M ohms
Module Responsivity (V/W)	0.5×10^8 , each channel
Module Bandwidth	DC - 2 kHz
NEP	$< 2 \times 10^{-14}$ W/Hz ^{1/2}
Power Requirements	+ , - 15 DVC; 20 mA

Note: Other Gain/bandwidths are available. Consult factory with specific requirements.