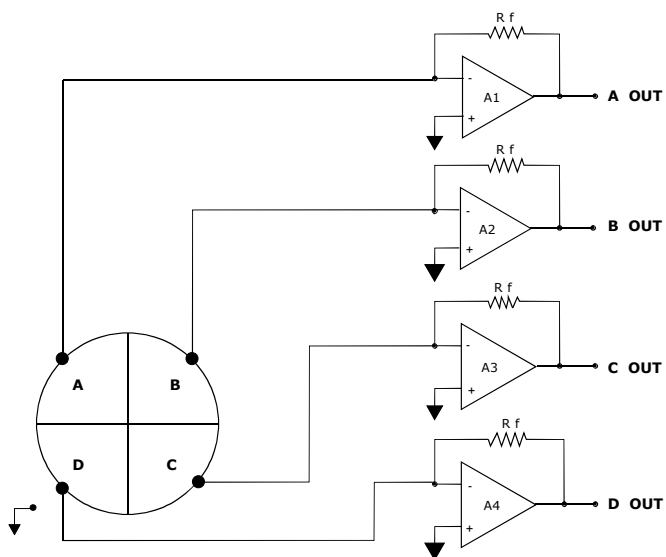


QUADRANT RECEIVER MODULE



Part no:

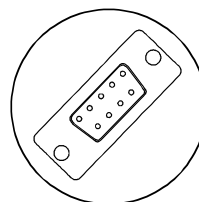
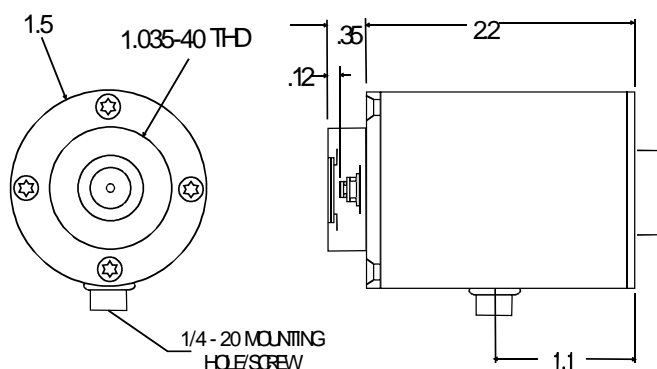
S - 100 - QUAD - E4 / 1 MHz

This unit integrates the EOS quadrant photodiodes with a 4-channel transimpedance amplifier in the H-series receiver module. Gain/bandwidth settings can be specified by the user. Standard settings are shown below.

9-PIN D-sub Connector

PIN

- 1 - A OUT
- 2 - B OUT
- 3 - GND
- 4 - C OUT
- 5 - D OUT
- 6 - +V
- 7 - -V
- 8 - GND
- 9 - CASE



SPECIFICATIONS

| | |
|-----------------------------|--|
| Detector Type | Si Quad Photodiode |
| Active Area | 10. mm dia overall, < .025 mm gap |
| Wavelength Range | 400 - 1100 nm |
| Amplifier Gain (Rf) | 10 k ohms |
| Module Responsivity (V/W) | 0.5×10^4 , each channel |
| Module Bandwidth | DC - 1 MHz |
| NEP | $< 4 \times 10^{-12} \text{ W/Hz}^{1/2}$ |
| Power Requirements | + , - 15 DVC; 20 mA |