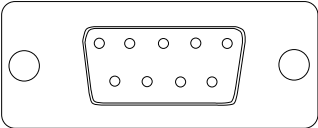


## H - SERIES THERMOPILE / RECEIVER

### Application Note

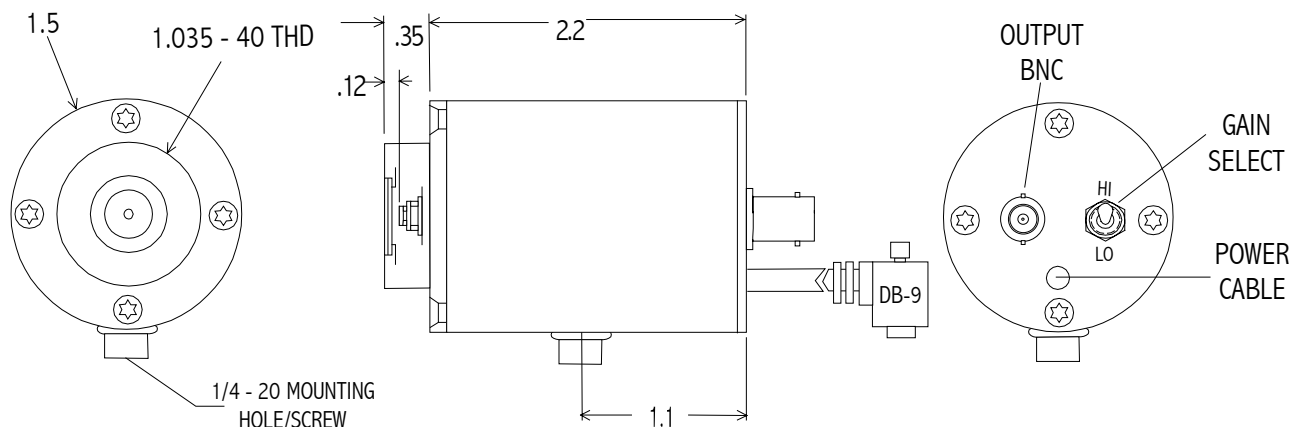
This unit is a high performance thermopile/receiver operated at ambient temperature with a dual gain voltage amplifier.

**Part Number:**  
**TH - 060 - H**



**DB-9 PIN OUT**

1	NO CONNECT	6	+V
2	NO CONNECT	7	-V
3	NO CONNECT	8	GND
4	NO CONNECT	9	CASE GND
5	NO CONNECT		



### SPECIFICATIONS

<b>Detector Type</b>	<b>6 mm dia Thermopile</b>
<b>Operating Temperature - °C</b>	<b>22</b>
<b>Operating Wavelength - μm</b>	<b>2 - 16 ( Other Windows Available )</b>
<b>Responsivity - V/W</b>	<b><math>5 \times 10^3 / 10^2</math></b>
<b>Noise - V/Hz<sup>1/2</sup></b>	<b><math>30 \times 10^{-6} / 10^{-7}</math></b>
<b>NEP - W/Hz<sup>1/2</sup></b>	<b><math>&lt; 7.0 \times 10^{-9}</math></b>
<b>Bandwidth (-3dB) - Hz</b>	<b>DC - 5 Hz</b>
<b>Power Requirements</b>	<b>+/- 9 VDC to +/- 15 VDC</b>
<b>Connections</b>	<b>BNC signal output. Shielded power cable terminated with a DB-9 connector directly couples the unit with the PS -1 Low Noise Power Supply.</b>